

# Amiga

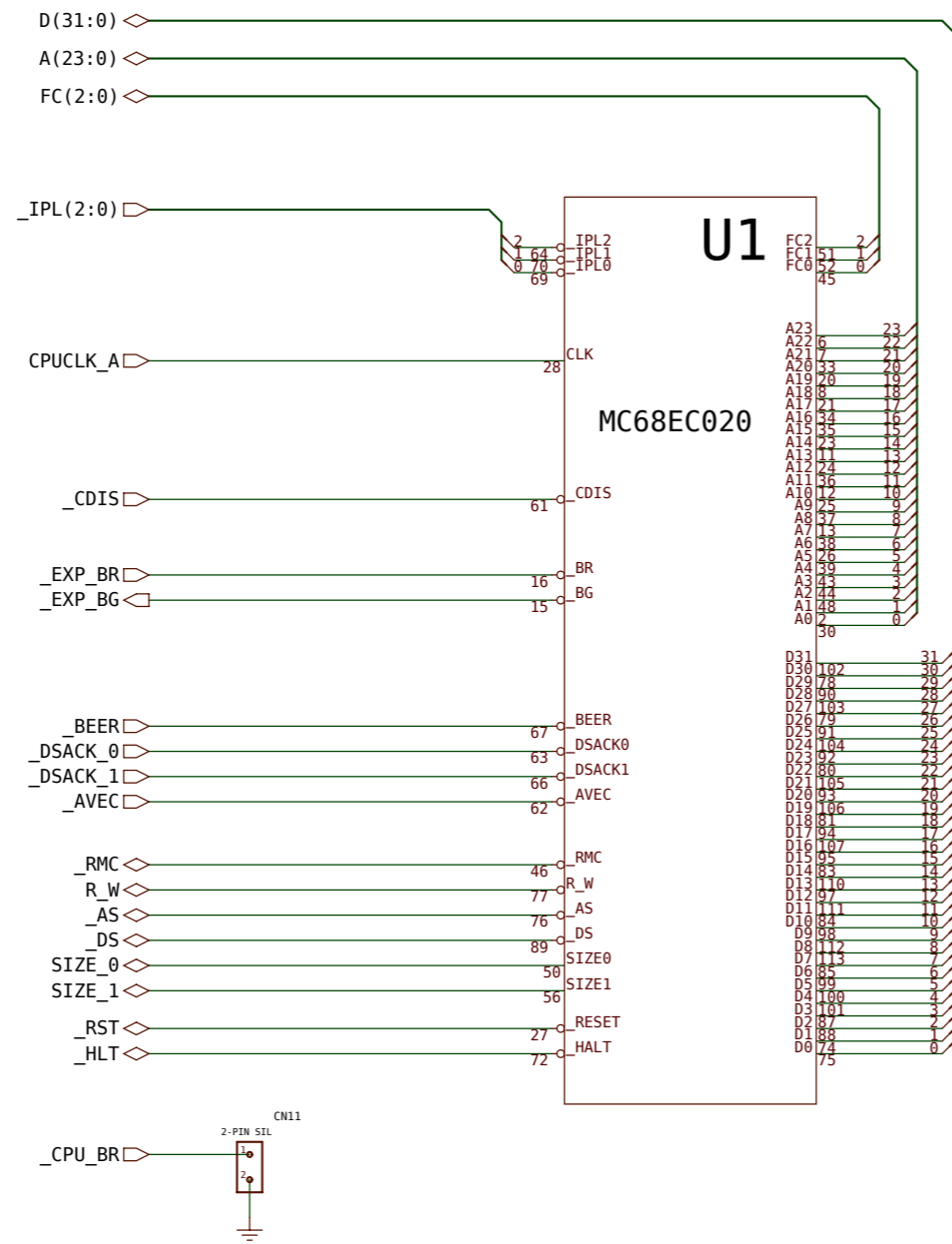
# CD32 Debug Board Rev2

Rev.1.38 (14.01.2014)

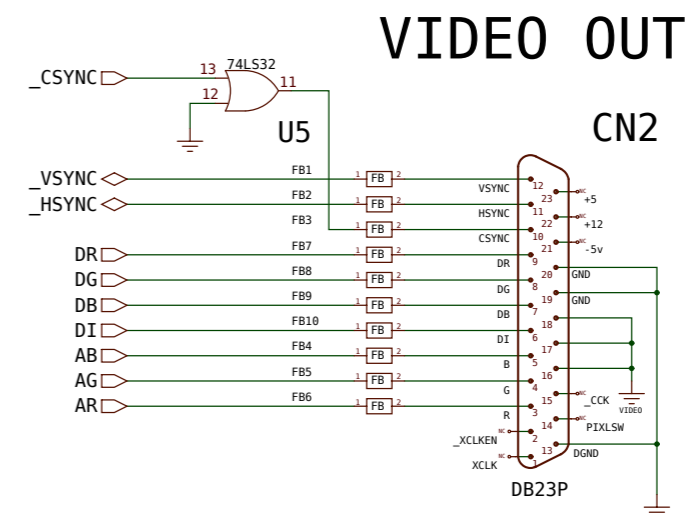
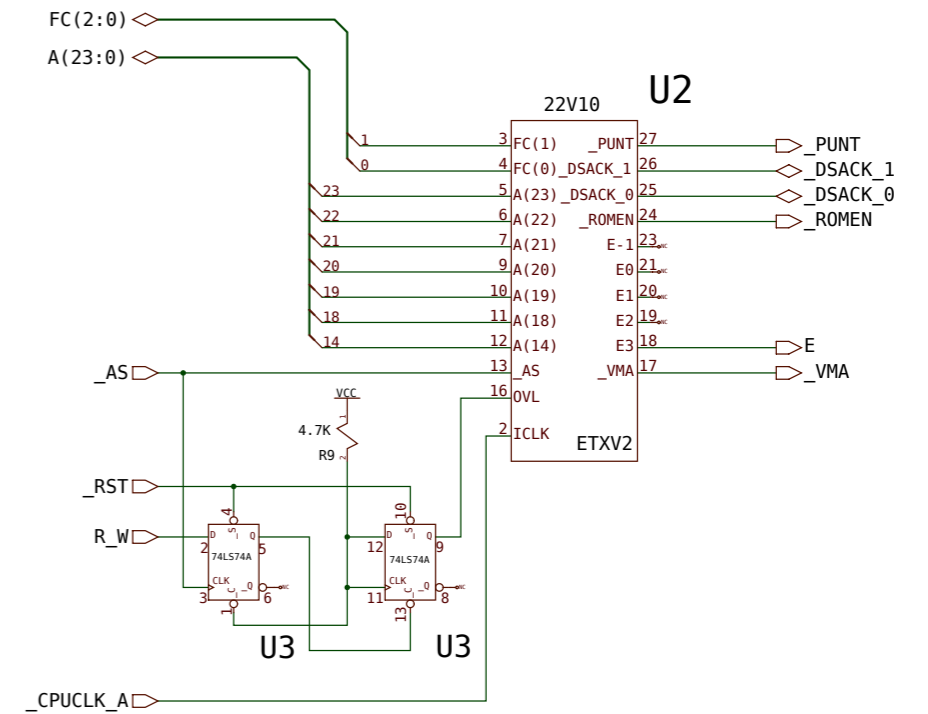


[www.amigawiki.org](http://www.amigawiki.org)

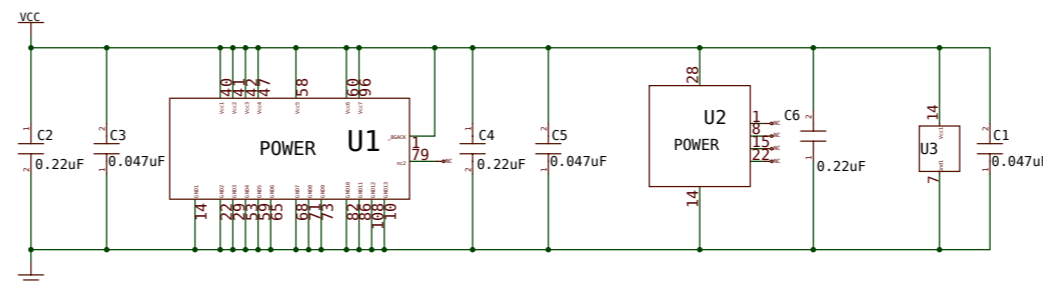




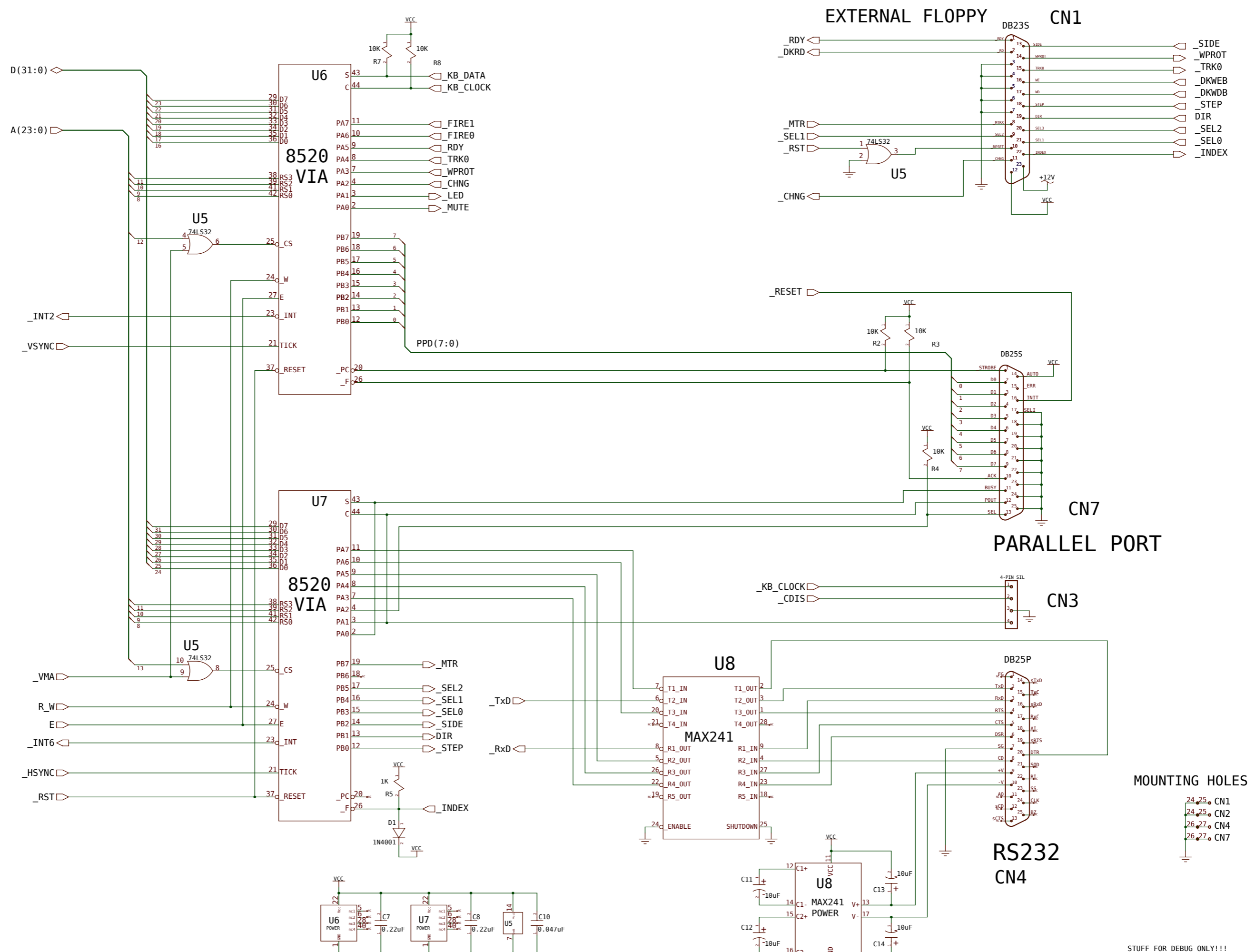
Note - Pinout wrong on PCB!



Note - Genlock Not Supported!!!



02/25/93  
Downtown  
Debug Tower Rev 2



# Debug Tower Rev 2

## DECOUPLING

**STUFF FOR DEBUG ONLY!!!**

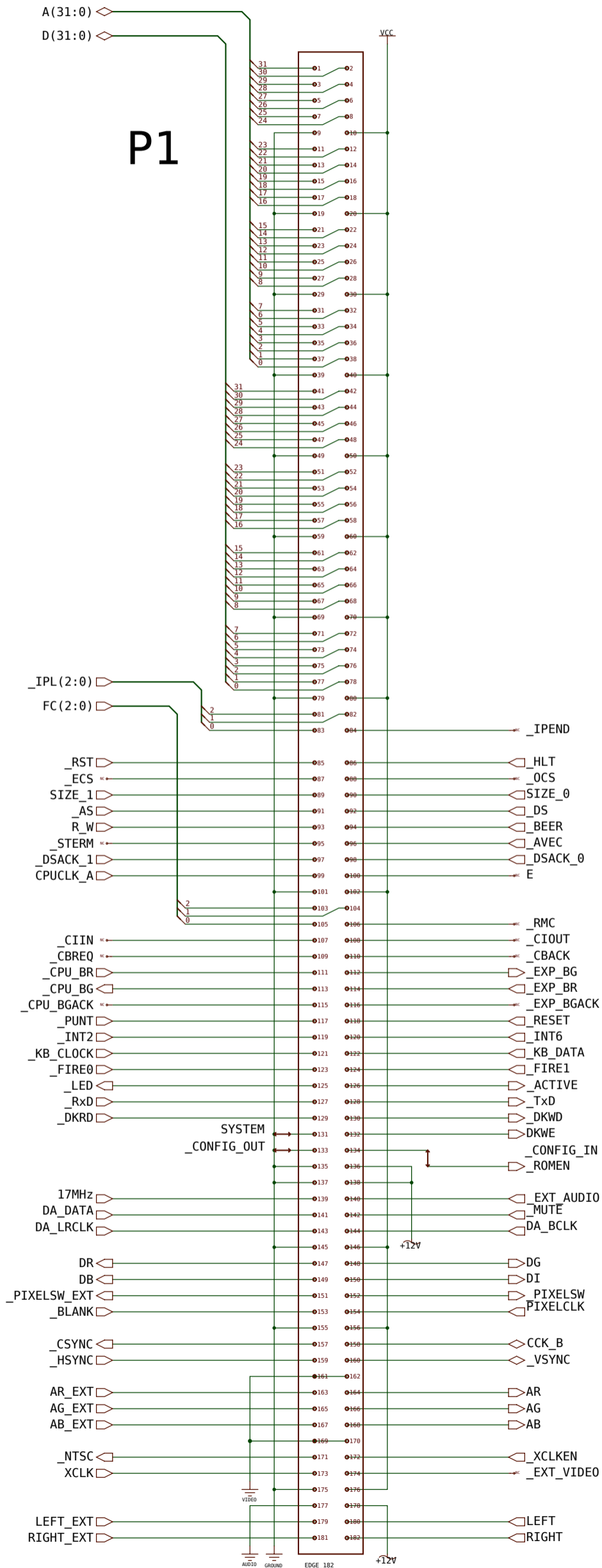
DESIGN BY:	DATE:	Commodore
G. Robbins	08/01/92	
CHKD BY:	DATE:	Debug Tower Rev 2
CDW:	08/01/92	CD/Game Console Base
APPR:		Unit - "Downtown"
USED ON:	NEXT ASSY:	STEP: 365100
C/A100	365101	REV: 2
SCALE:		SHEET 3 OF 7

C.A.D. Generated  
No manual changes may be made to this document

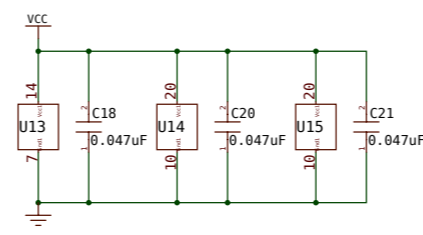
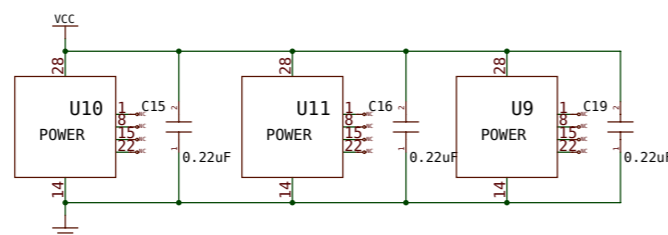
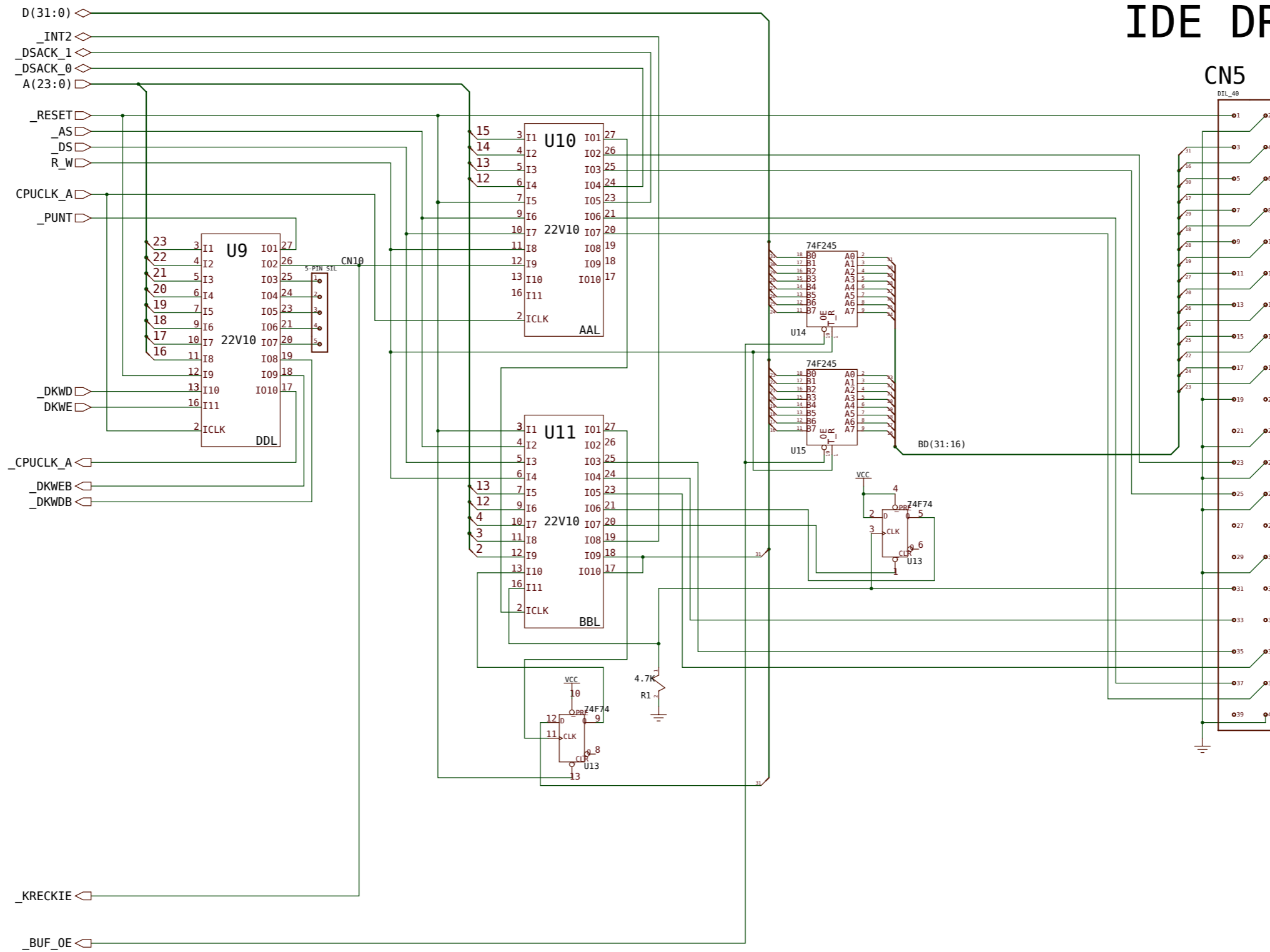
PATH: /project/a300/downtown\_rev2\_sheet3

Rev 2.00 (14.03.2001)

# EXPANSION CONNECTOR



# IDE DRIVE



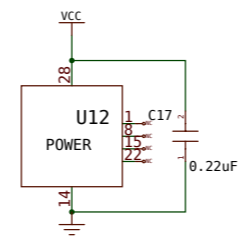
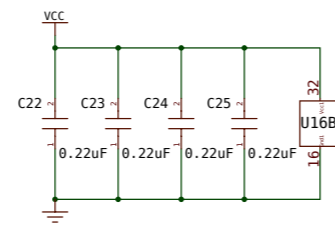
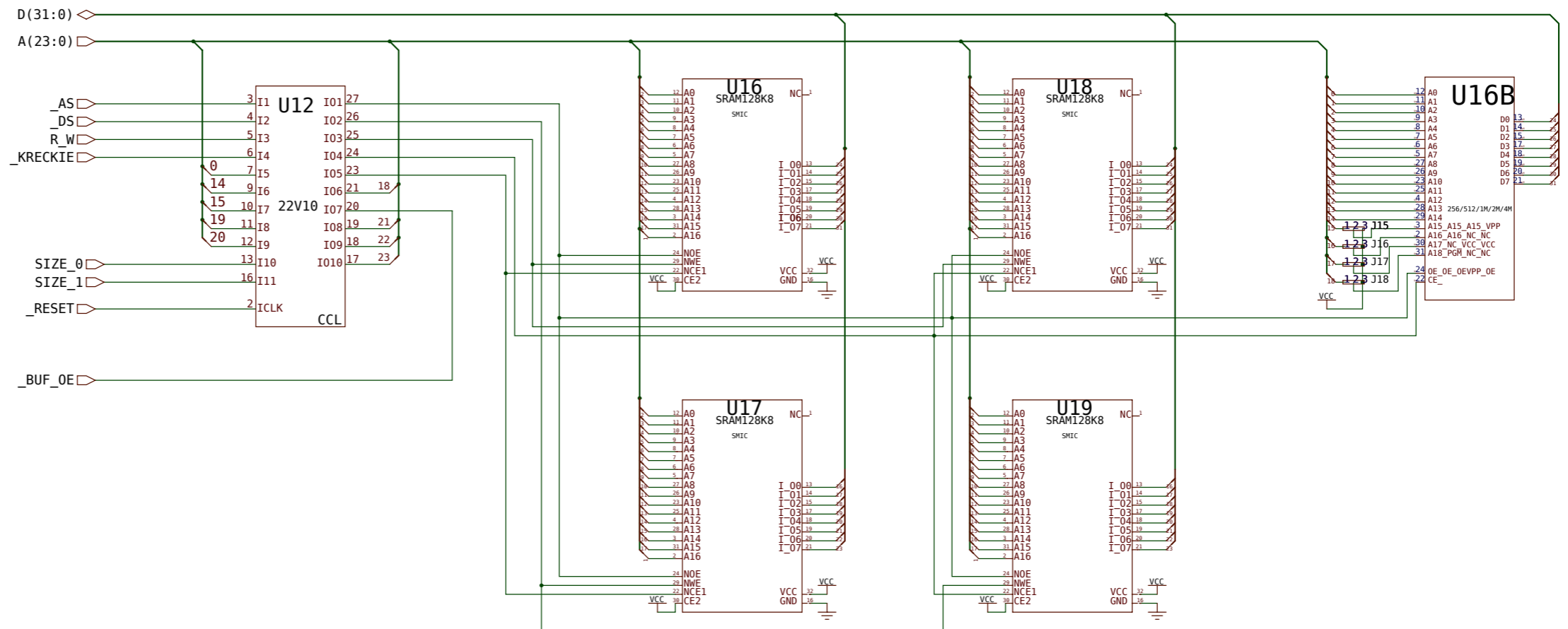
## Debug Tower Rev 2

Rev 2.00 (14.03.2001)

rebuild for www.amigawiki.org - for private use only

STUFF FOR DEBUG ONLY!!!

DESIGN BY:	DATE:	<b>Commodore</b> Debug Tower Rev 2 CD/Game Console Base Unit - "Downtown" C/A100 365100 SCALE: SHEET 5 OF 7
ORIGIN:	08/01/92	
LAST. MOD:	08/01/92	
APPR:		
USED ON:	NEXT ASSY:	C.A.D. Generated No manual changes may be made to this document PATH: /project/a300/downtown_rev2_sheets



# Debug Tower Rev 2

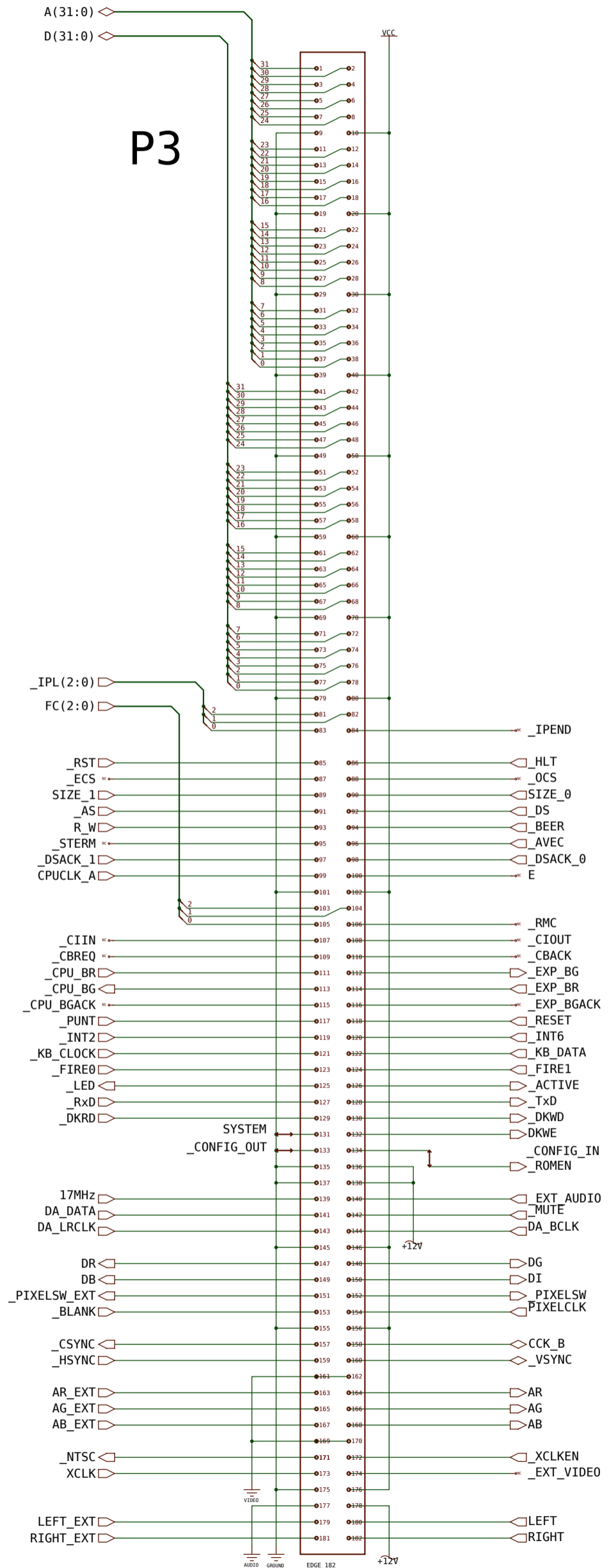
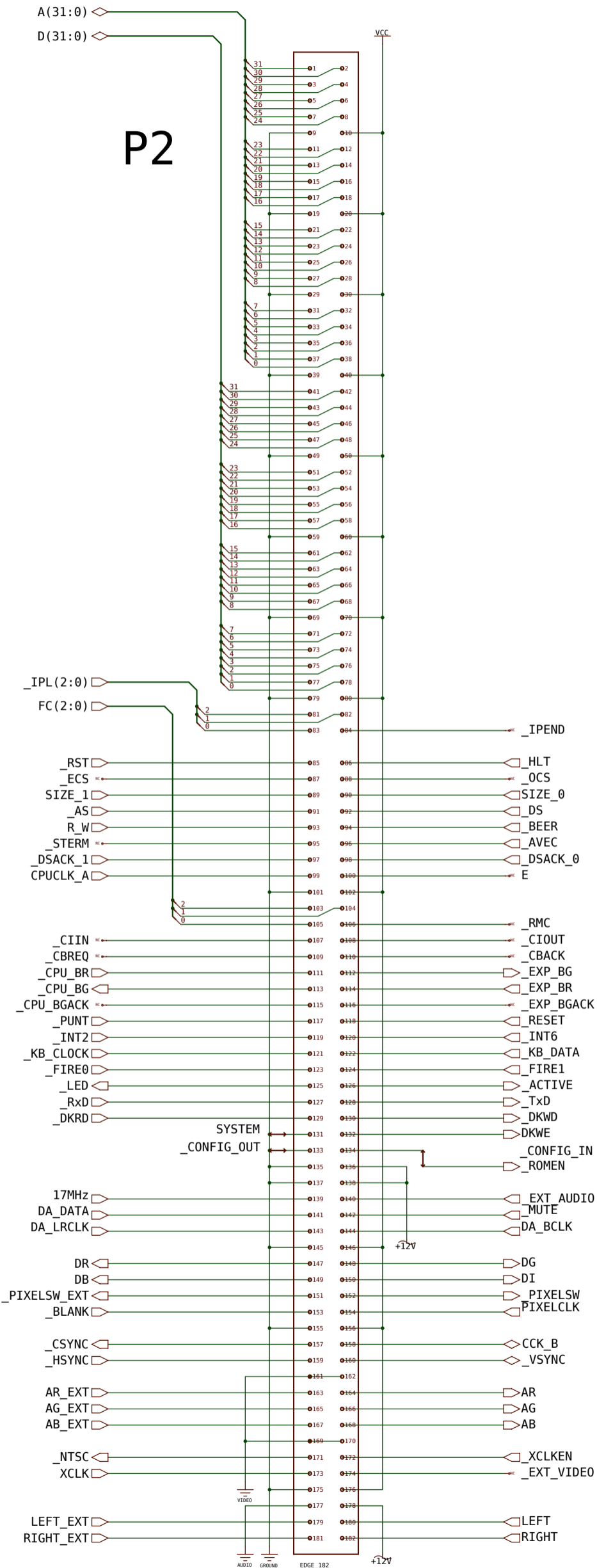
Rev 2.00 (14.03.2001)

© rebuild for [www.amigawiki.org](http://www.amigawiki.org) · for private use only

© 1992 Commodore Business Machines Information contained herein is the unpublished, confidential and trade secret property of Commodore Business Machines, Inc. Any use, reproduction or disclosure of this information without the prior written permission of Commodore is strictly prohibited.		<b>BILLBOARD MEMORY AND ROM</b> DESIGN BY: G. Robbins DATE: 08.02.92 DRAWN: GRR DATE: 08.02.92 LAYOUT: GRR DATE: 07.02.92 CHECKED: GRR DATE: 07.02.92 USED ON: C/A100 NEXT ASSY: 365101 SCALE:		<b>Commodore</b> Debug Tower Rev 2 CD/Game Console Base Unit - "Spellbound" C 365100 SHEET 6 OF 7
C.A.D. Generated		No manual changes may be made to this document		


# EXPANSION CONNECTOR

# EXPANSION CONNECTOR



A99\_Rev\_1a

EXPANSION OR IS IT MANIFEST DESTINY?

© 1992 Commodore Business Machines Information contained herein is the unpublished, confidential and trade secret property of Commodore Business Machines, Inc. Any use, reproduction or disclosure of this information without the prior written permission of Commodore is strictly prohibited.		 <b>Commodore</b> Schematic A100 Rev 1 CD/Game Console Base Unit - "Spellbound" SIZE: 365100 SCALE: SHEET 7 OF 7	
C.A.D. Generated No manual changes may be made to this document		DESIGN BY: G. Robbins DATE: 08/01/92 DRAWN: GRS CHECKED: GRS APPROVED: GRS USED ON: NEXT ASSY C/A100 365101	