

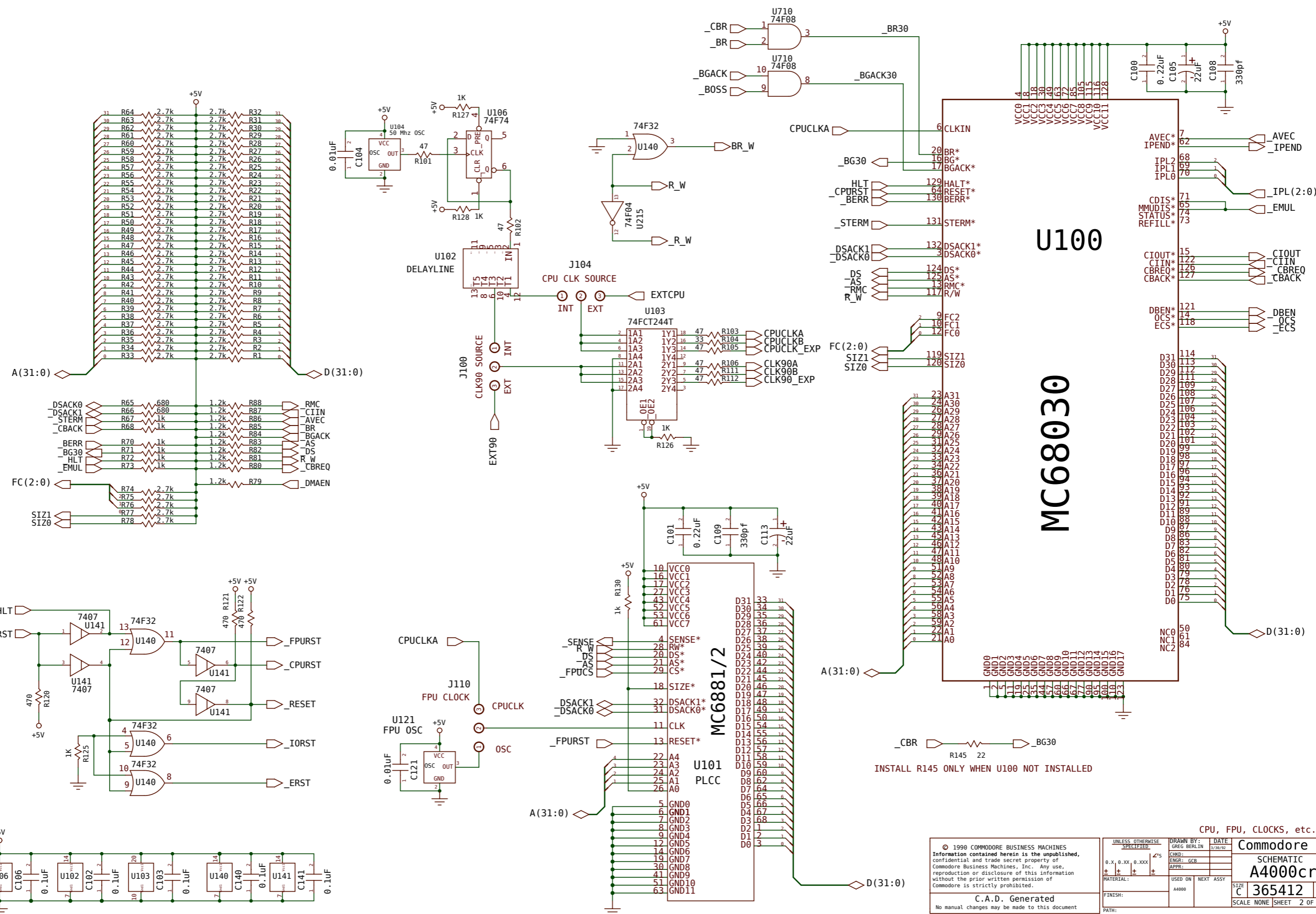
Amiga

A4000CR_Rd

Rev.1.38 (28.12.2013)



www.amigawiki.org



© 1990 COMMODORE BUSINESS MACHINES
 Information contained herein is the unpublished, confidential and trade secret property of Commodore Business Machines, Inc. Any use, reproduction or disclosure of this information without the prior written permission of Commodore is strictly prohibited.

UNLESS OTHERWISE SPECIFIED: DRAWN BY: GREG BERLIN DATE: 1/30/92
 ENGR: GCB
 APPR: []
 MATERIAL: []
 FINISH: []
 PATH: []

USED ON: A4000 NEXT ASSY: []

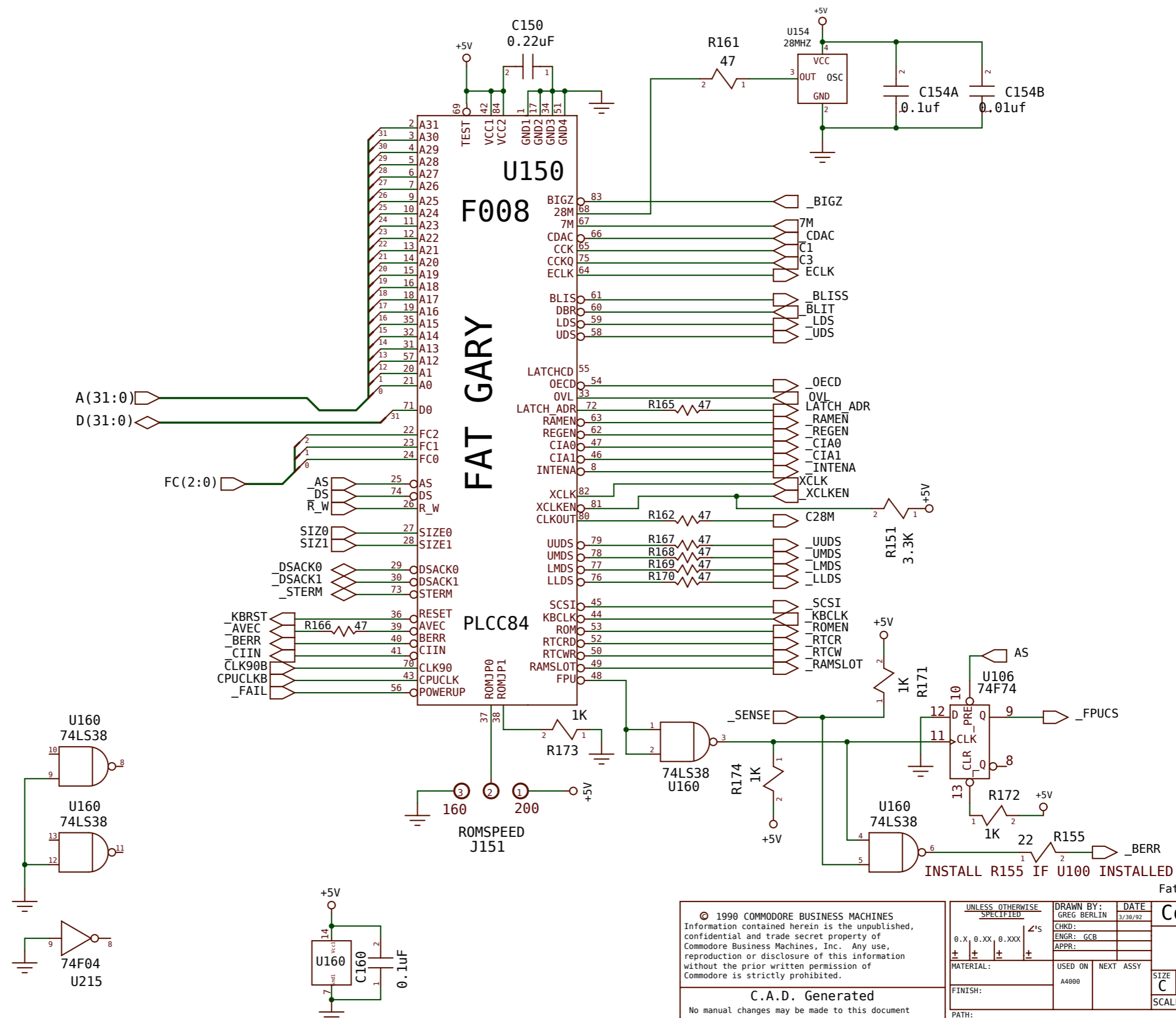
SCALE: NONE SHEET: 2 OF 16

Commodore
 SCHEMATIC
 A4000c

SIZE: C 365412 REV: A

C.A.D. Generated
 No manual changes may be made to this document

Rev. 1.18 (28.12.2013)



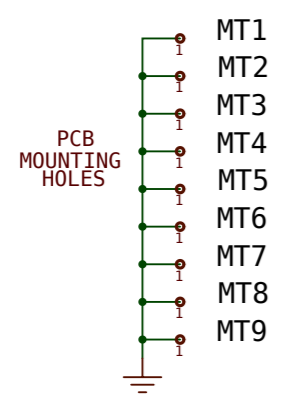
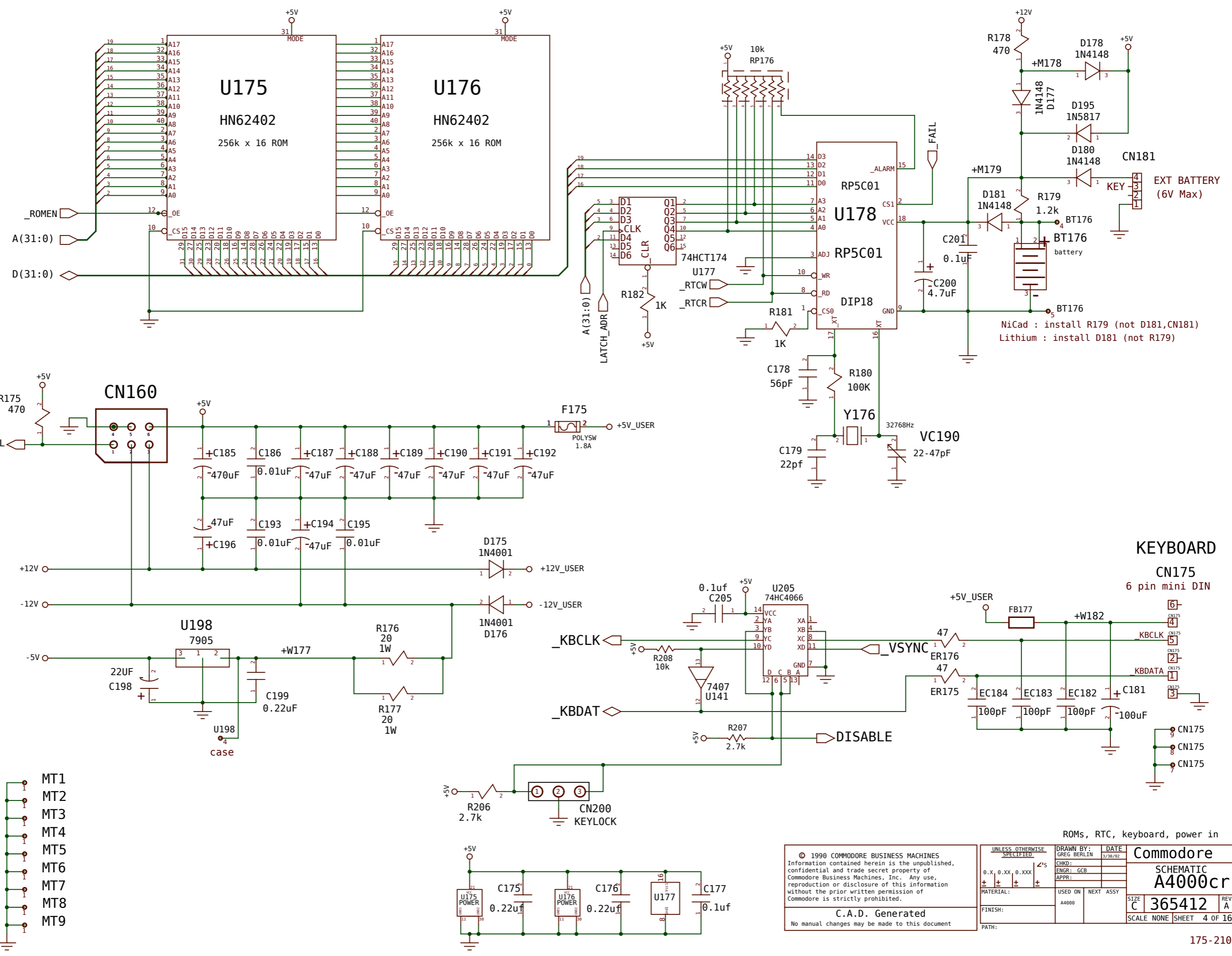
Rev. 1.38 (28.12.2013)

© 1990 COMMODORE BUSINESS MACHINES
 Information contained herein is the unpublished, confidential and trade secret property of Commodore Business Machines, Inc. Any use, reproduction or disclosure of this information without the prior written permission of Commodore is strictly prohibited.

C.A.D. Generated
 No manual changes may be made to this document

UNLESS OTHERWISE SPECIFIED		DRAWN BY:	DATE
0.X	0.XX	GREG BERLIN	3/30/92
+	+	CHKD:	
+	+	ENGR: GCB	
+	+	APPR:	
MATERIAL:	USED ON	NEXT ASSY	
FINISH:	A4800		
PATH:			

Commodore	
SCHEMATIC	
A4000c	
SIZE	REV
C 365412	A
SCALE NONE	SHEET 3 OF 16



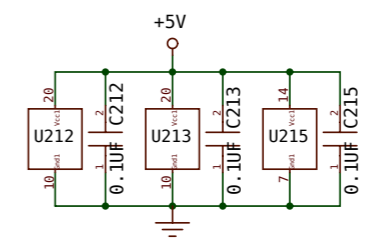
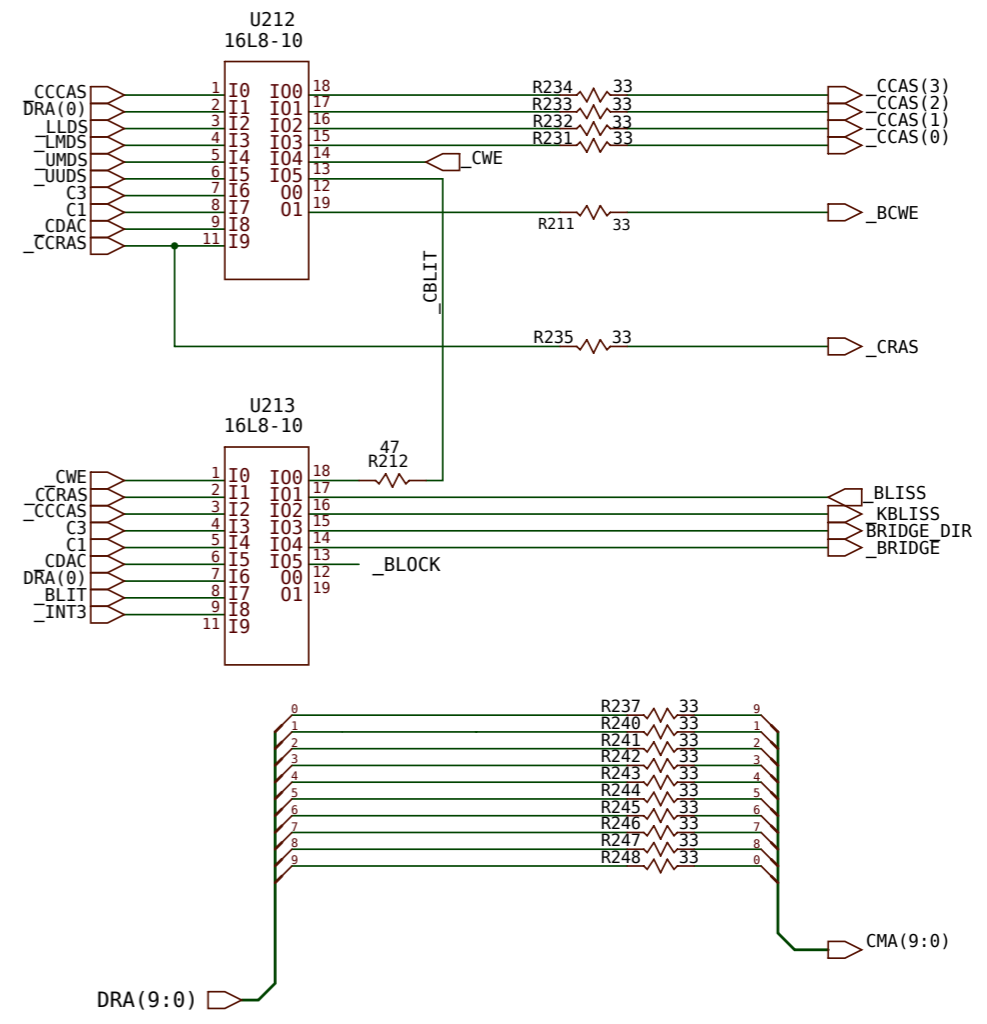
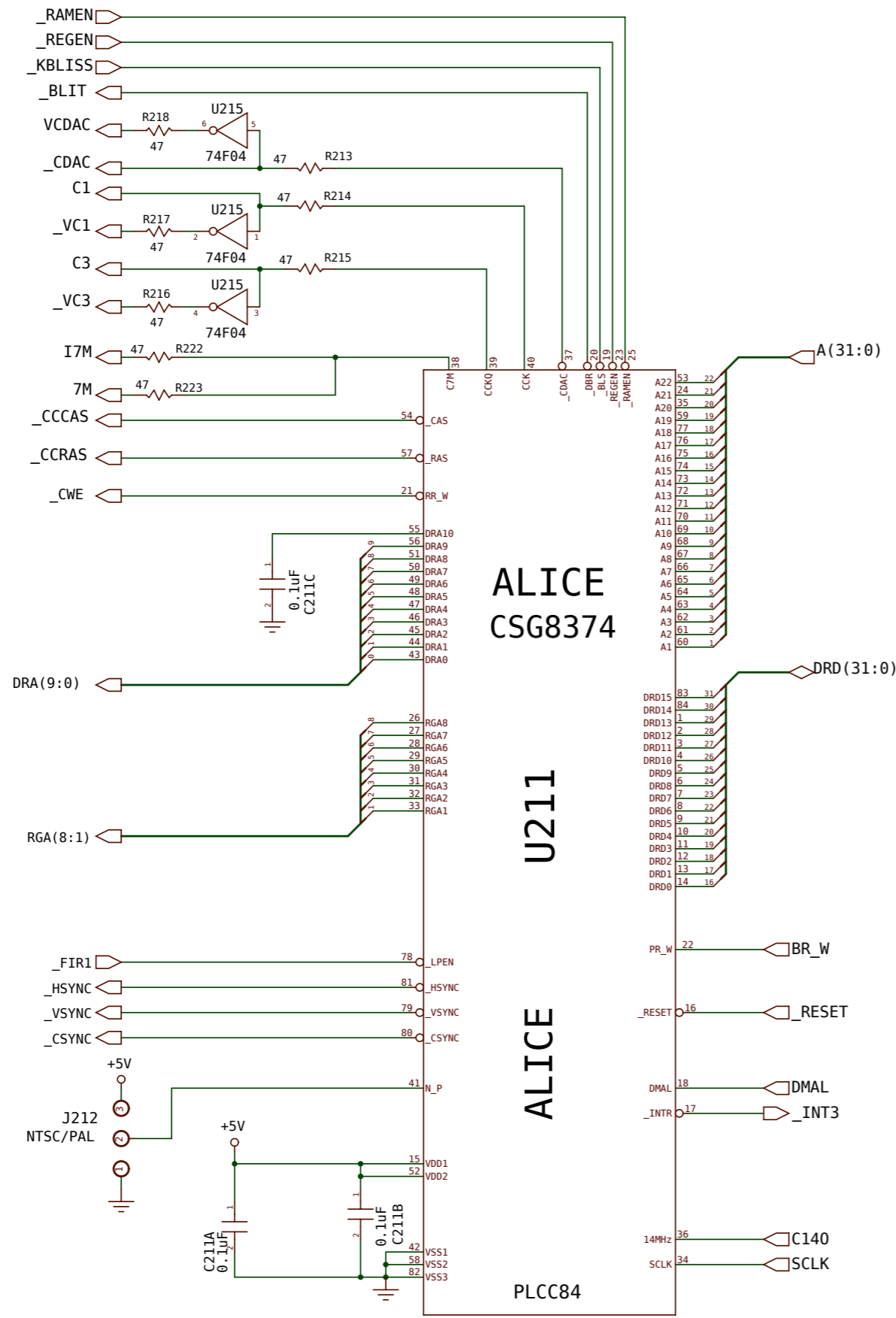
NiCad : install R179 (not D181,CN181)
Lithium : install D181 (not R179)

KEYBOARD
CN175
6 pin mini DIN

ROMs, RTC, keyboard, power in

© 1990 COMMODORE BUSINESS MACHINES Information contained herein is the unpublished, confidential and trade secret property of Commodore Business Machines, Inc. Any use, reproduction or disclosure of this information without the prior written permission of Commodore is strictly prohibited.		UNLESS OTHERWISE SPECIFIED CHKD: GREG BERLIN ENGR: GCB APPR:		DRAWN BY: GREG BERLIN DATE: 3/28/92	
C.A.D. Generated No manual changes may be made to this document		USED ON: A4000 NEXT ASSY:		Commodore SCHEMATIC A4000cr	
FINISH:		SCALE: NONE		SIZE: C 365412 REV: A SHEET: 4 OF 16	

Rev. 1.38 (28.12.2013)



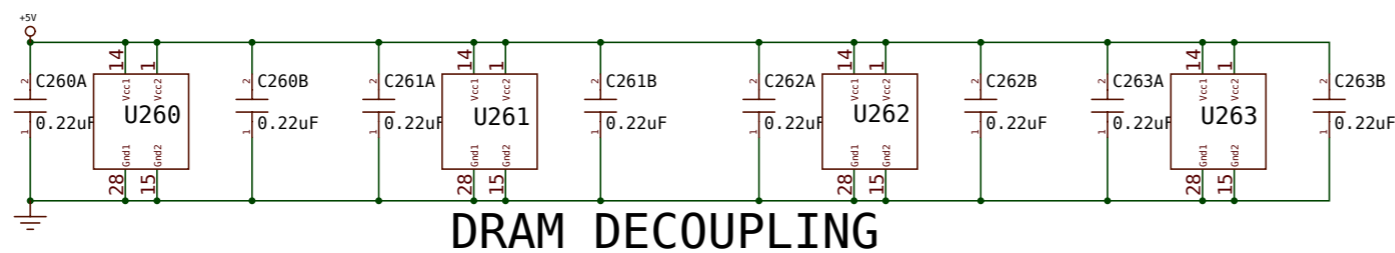
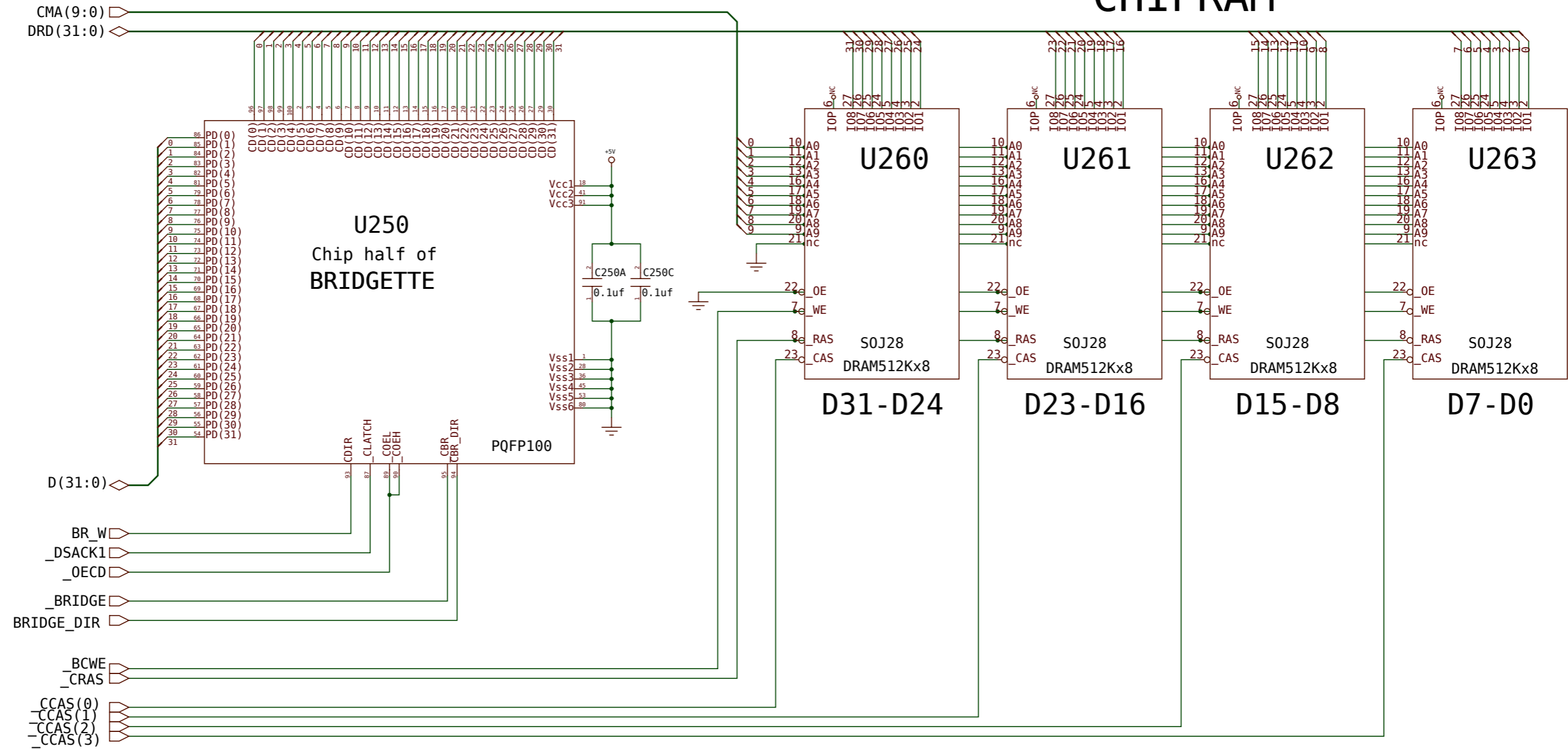
I want to live with the cinnamon girl

© 1992 COMMODORE-AMIGA, INC. Information contained herein is the unpublished, confidential and trade secret property of Commodore-Amiga, Inc. Any use, reproduction, or disclosure of this information without the prior written permission of Commodore is strictly prohibited.		UNLESS OTHERWISE SPECIFIED: DIMENSIONS: 0.XX 0.XXX TOLERANCES: ± ± ± ±	DRAWN BY: GREG BERLIN CHKD: ENGR: GCB APPR:	DATE: 8/29/91	Commodore SCHEMATIC A4000cr
C.A.D. Generated No manual changes may be made to this document		FINISH:	USED ON: A4000	NEXT ASSY:	

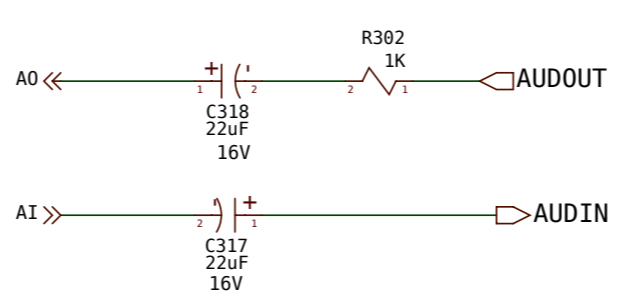
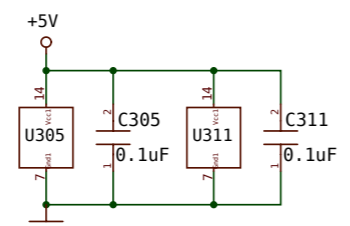
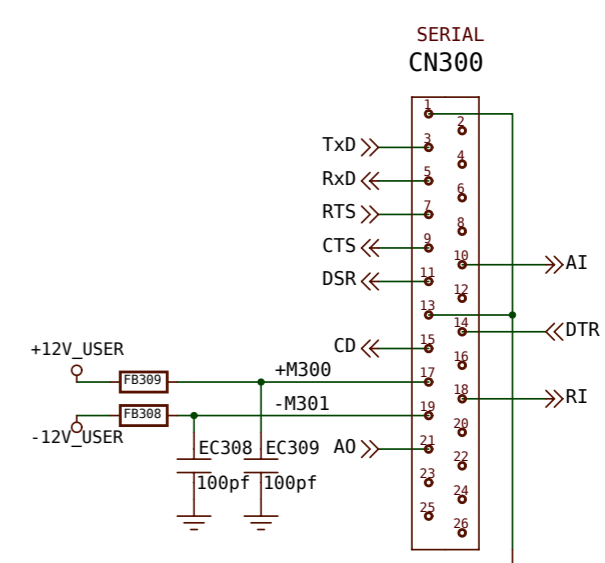
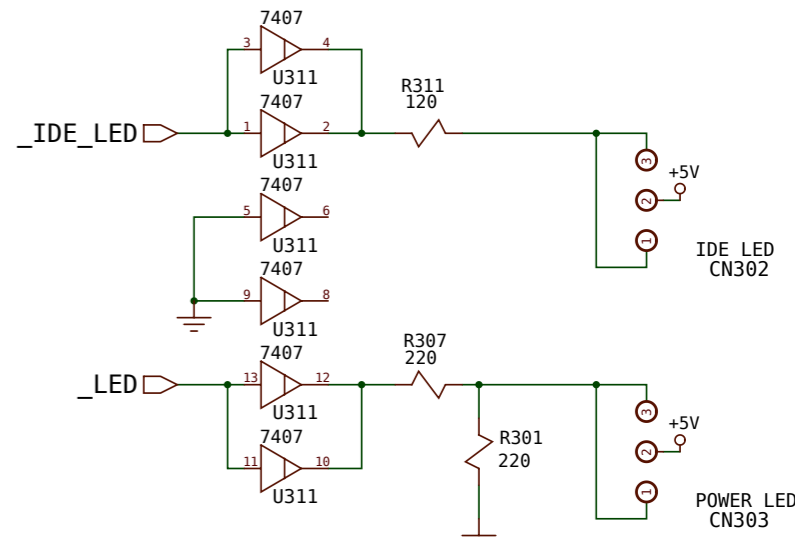
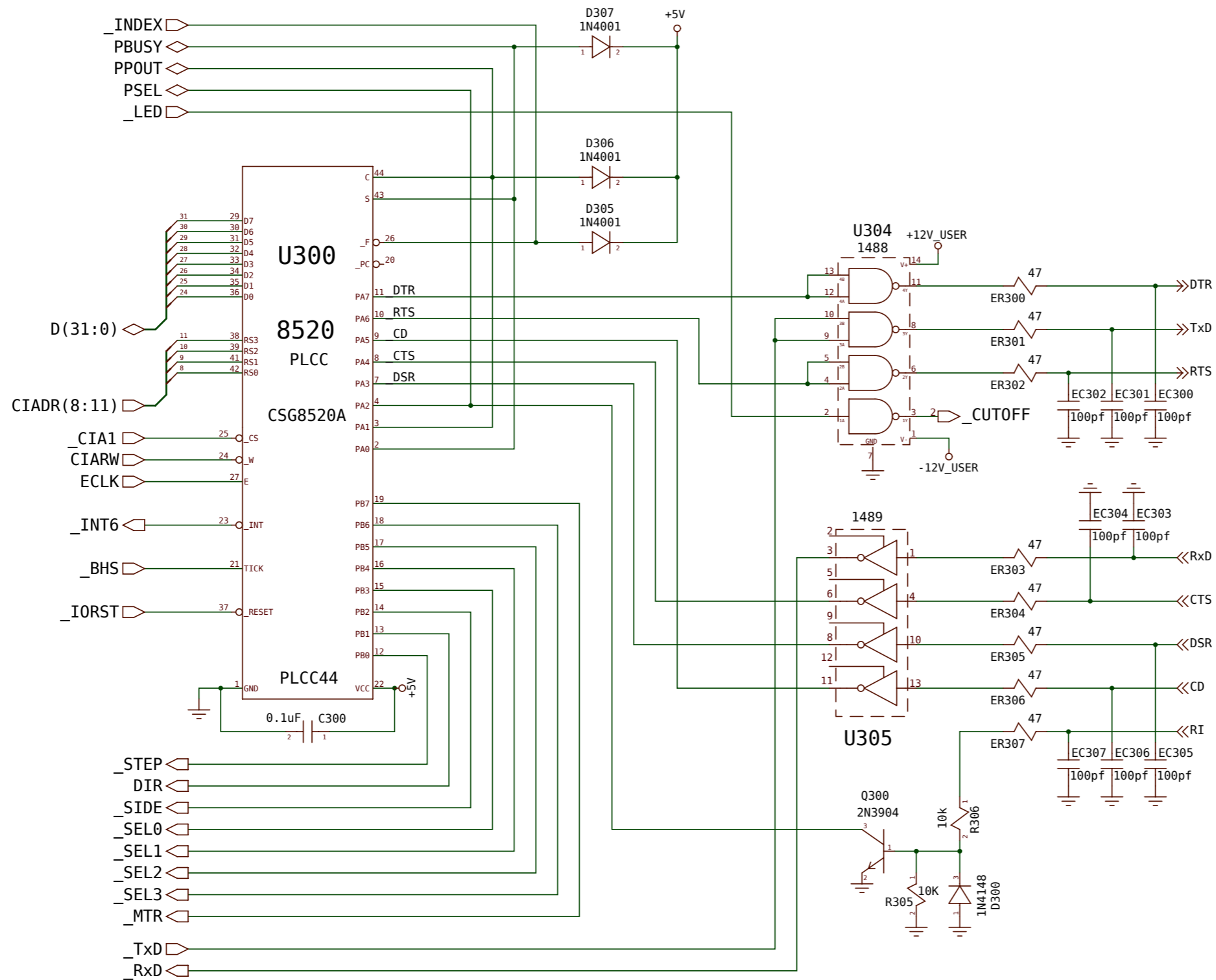
REV A
SHEET 5 OF 16

Rev. 1.38 (08.12.2013)

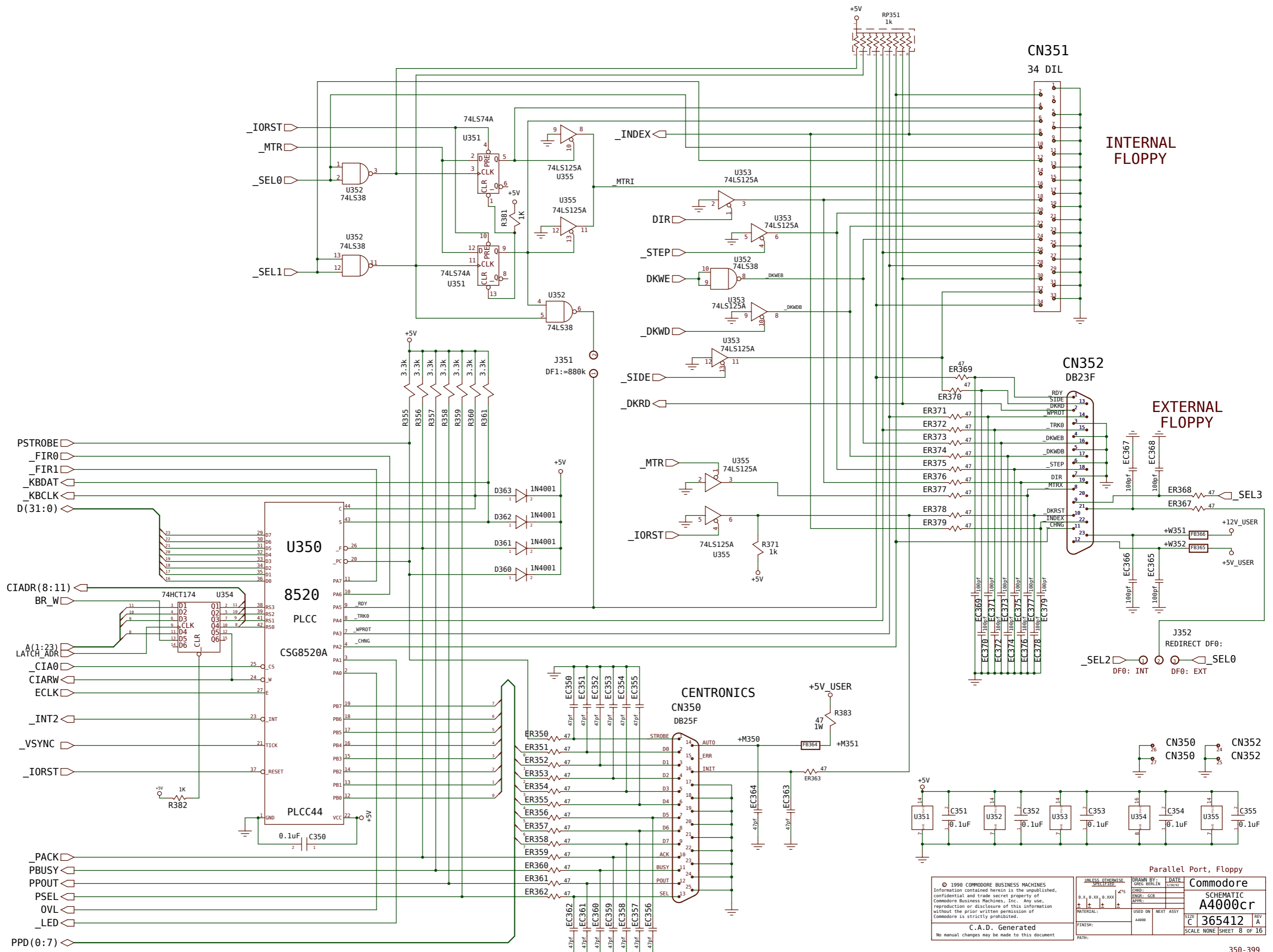
CHIPRAM



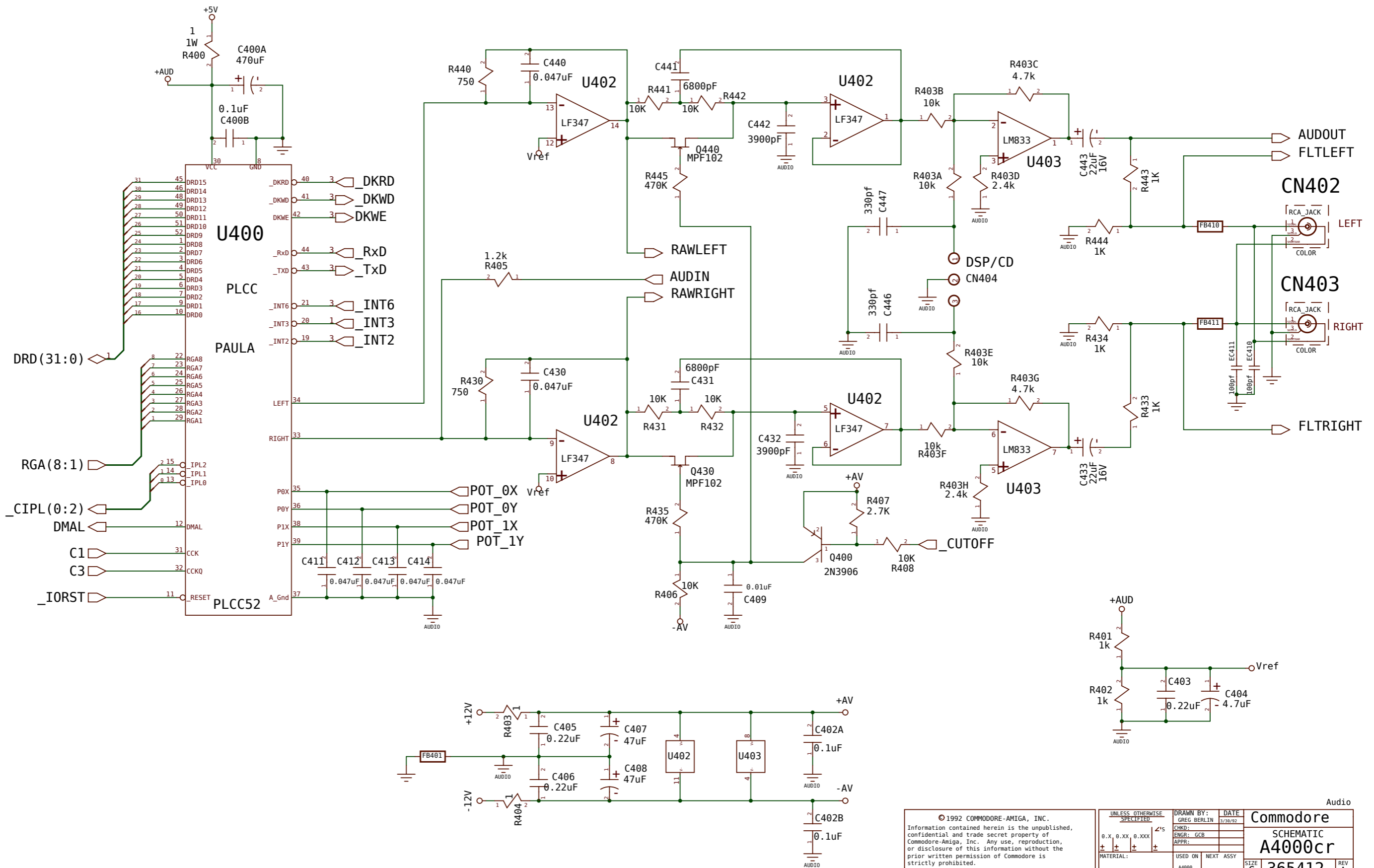
UNLESS OTHERWISE SPECIFIED		DRAWN BY: GREG BERLIN	DATE: 2/20/92	Commodore	
MATERIAL: 0.X, 0.XX, 0.XXX		CHKD: GCB	ENGR: GCB	SCHEMATIC	
FINISH: A4800		USED ON: A4800	NEXT ASSY:	A4000cr	
PATH:		SCALE: NONE		SIZE: C	SHEET: 6 OF 16
© 1990 COMMODORE BUSINESS MACHINES Information contained herein is the unpublished, confidential and trade secret property of Commodore Business Machines, Inc. Any use, reproduction or disclosure of this information without the prior written permission of Commodore is strictly prohibited.					
C.A.D. Generated					
No manual changes may be made to this document					



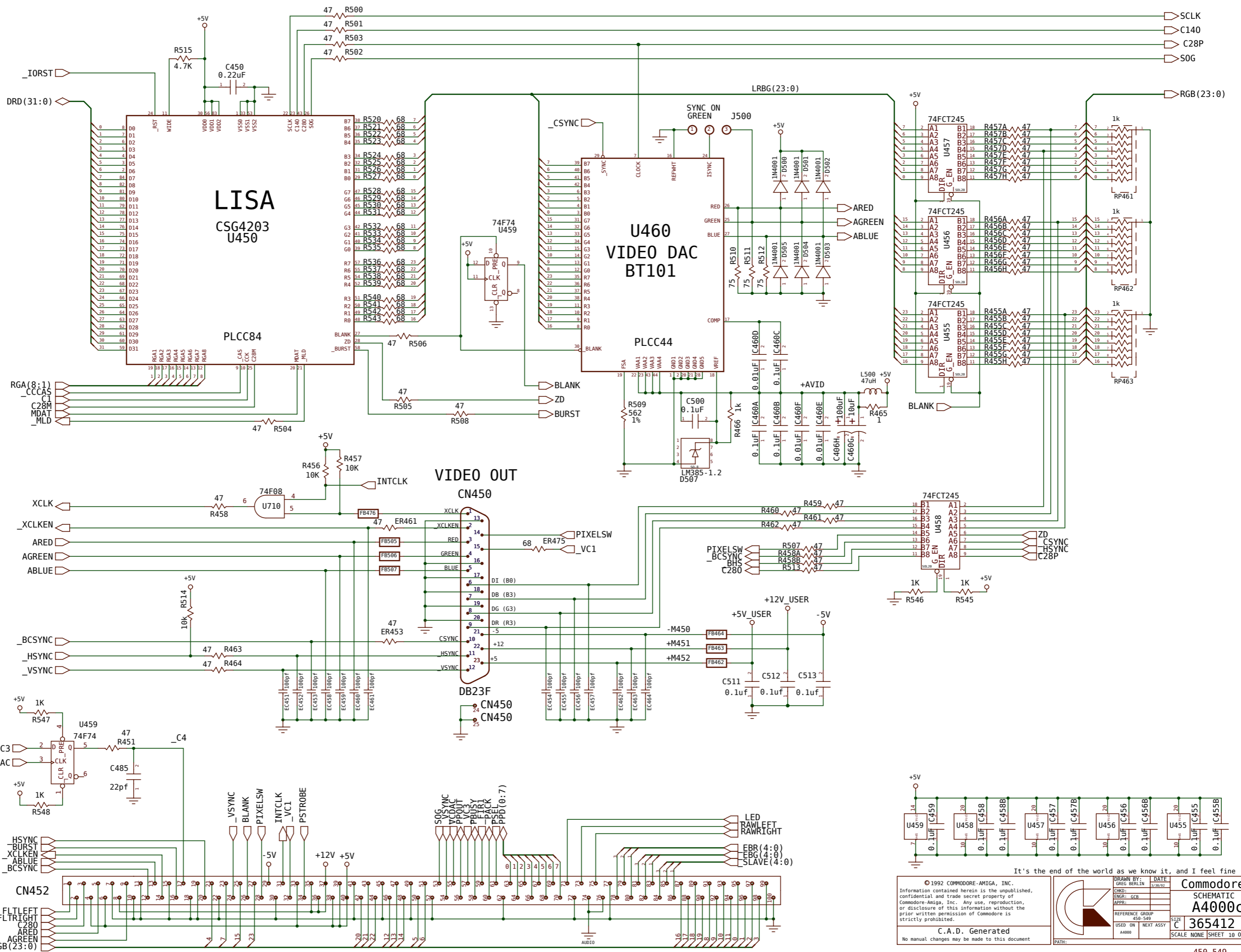
© 1990 COMMODORE BUSINESS MACHINES Information contained herein is the unpublished, confidential and trade secret property of Commodore Business Machines, Inc. Any use, reproduction or disclosure of this information without the prior written permission of Commodore is strictly prohibited.		UNLESS OTHERWISE SPECIFIED: DIMENSIONS: 0.1, 0.25, 0.5, 1.0, 2.0, 5.0, 10.0, 20.0, 50.0, 100.0, 200.0, 500.0, 1000.0 TOLERANCES: ±0.1, ±0.25, ±0.5, ±1.0, ±2.0, ±5.0, ±10.0, ±20.0, ±50.0, ±100.0, ±200.0, ±500.0, ±1000.0 MATERIAL: A4000 FINISH:	DRAWN BY: GREG BERLIN ENGR: GCB APPR: USED ON: A4000 NEXT ASSY:	DATE: 3/30/92 CHECKED: APPROVED: SCALE: NONE SHEET: 7 OF 16
C.A.D. Generated No manual changes may be made to this document		Serial Port Commodore SCHMATIC A4000cr SIZE: C SCALE: NONE SHEET: 7 OF 16		



© 1990 COMMODORE BUSINESS MACHINES Information contained herein is the unpublished, confidential and trade secret property of Commodore Business Machines, Inc. Any use, reproduction or disclosure of this information without the prior written permission of Commodore is strictly prohibited.		DRAWN BY: BERLIN DATE: 2/28/92		Commodore	
UNLESS OTHERWISE SPECIFIED: 0.X, 0.XX, 0.XXX + + + + MATERIAL: A4000		ENGR: GCB APPR:		SCHEMATIC A4000cr	
FINISH: C		USED ON NEXT ASSY		SIZE C SCALE NONE SHEET 8 OF 16	
C.A.D. Generated No manual changes may be made to this document		PATH:		REV A	



© 1992 COMMODORE-AMIGA, INC. Information contained herein is the unpublished, confidential and trade secret property of Commodore-Amiga, Inc. Any use, reproduction, or disclosure of this information without the prior written permission of Commodore is strictly prohibited.		UNLESS OTHERWISE SPECIFIED	DRAWN BY: GREG BERLIN	DATE: 3/30/92	Commodore SCHEMATIC A4000cr
C.A.D. Generated No manual changes may be made to this document		0.X 0.XX 0.XXX ± ± ± ±	CHKD: GCB	APPR:	
		FINISH:	USED ON: A4000	NEXT ASSY:	REV: A SHEET 9 OF 16

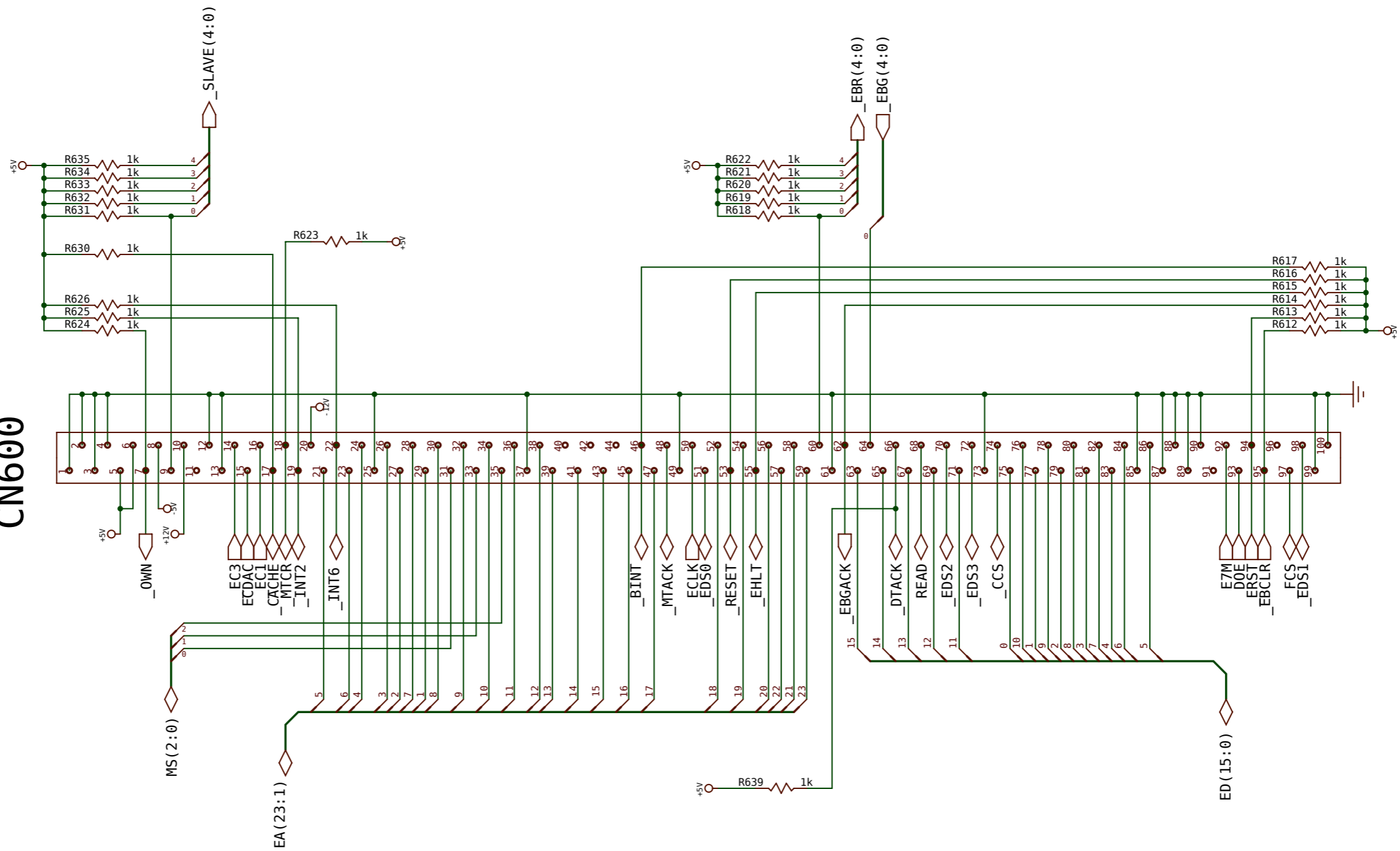


It's the end of the world as we know it, and I feel fine

© 1992 COMMODORE-AMIGA, INC. Information contained herein is the unpublished, confidential and trade secret property of Commodore Amiga, Inc. Any use, reproduction, or disclosure of this information without the prior written permission of Commodore is strictly prohibited.		DRAWN BY: GREG BERLIN ENGR: GCB APPR: [] REFERENCE GROUP: 450-549 USED ON: NEXT ASSY: A4000	DATE: 1/28/92 SIZE: C SCALE: NONE	Commodore SCHEMATIC A4000c 365412 SHEET 10 OF 16
C.A.D. Generated No manual changes may be made to this document		A4000		

Rev. 1.38 (28.12.2013)

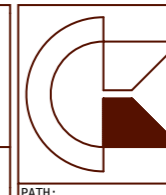
CN600



Expansion Bus Connector

© 1990 COMMODORE BUSINESS MACHINES
 Information contained herein is the unpublished,
 confidential and trade secret property of
 Commodore Business Machines, Inc. Any use,
 reproduction or disclosure of this information
 without the prior written permission of
 Commodore is strictly prohibited.

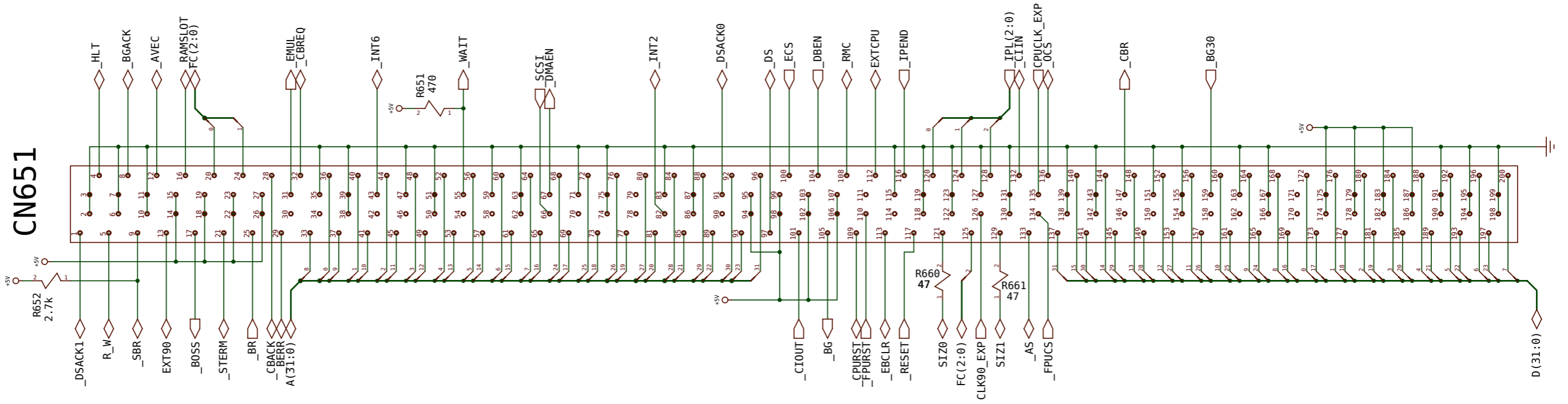
C.A.D. Generated
 No manual changes may be made to this document



DRAWN BY: GREG BERLIN	DATE: 3/30/92	Commodore	
CHKD:		SCHEMATIC	
ENGR: GCB		A4000cr	
APPR:		SIZE C	REV A
USED ON A4000	NEXT ASSY	SCALE NONE SHEET 11 OF 16	

Rev. 1.38 (28.12.2013)

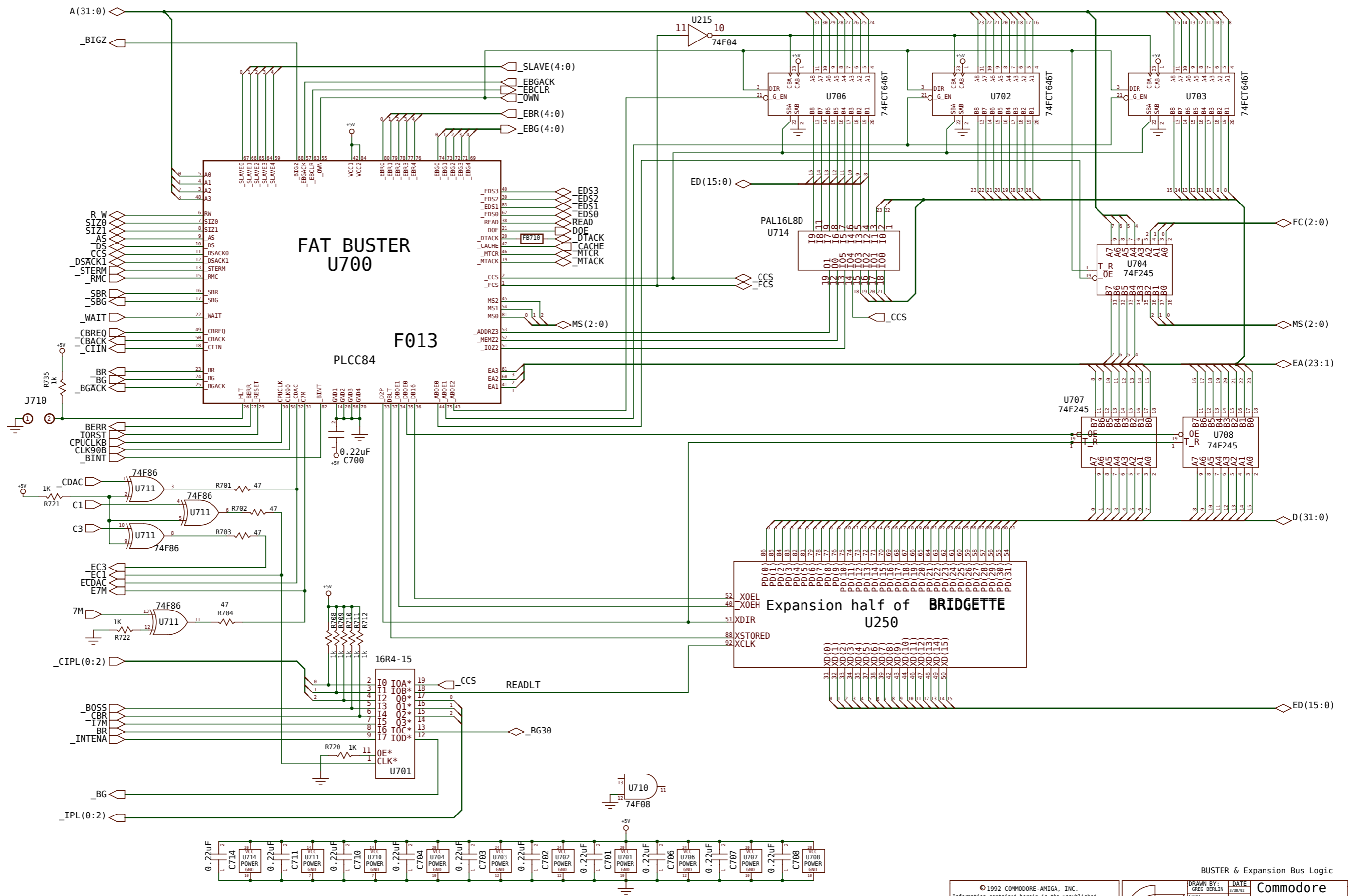
Amiga 32 BIT LOCAL SLOT



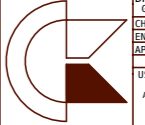
Rev. 1.38 (08.12.2013)

© 1990 COMMODORE BUSINESS MACHINES
 Information contained herein is the unpublished,
 confidential and trade secret property of
 Commodore Business Machines, Inc. Any use,
 reproduction or disclosure of this information
 without the prior written permission of
 Commodore is strictly prohibited.
C.A.D. Generated
 No manual changes may be made to this document

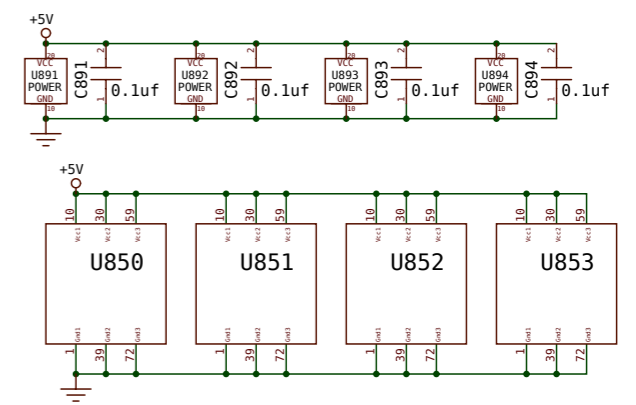
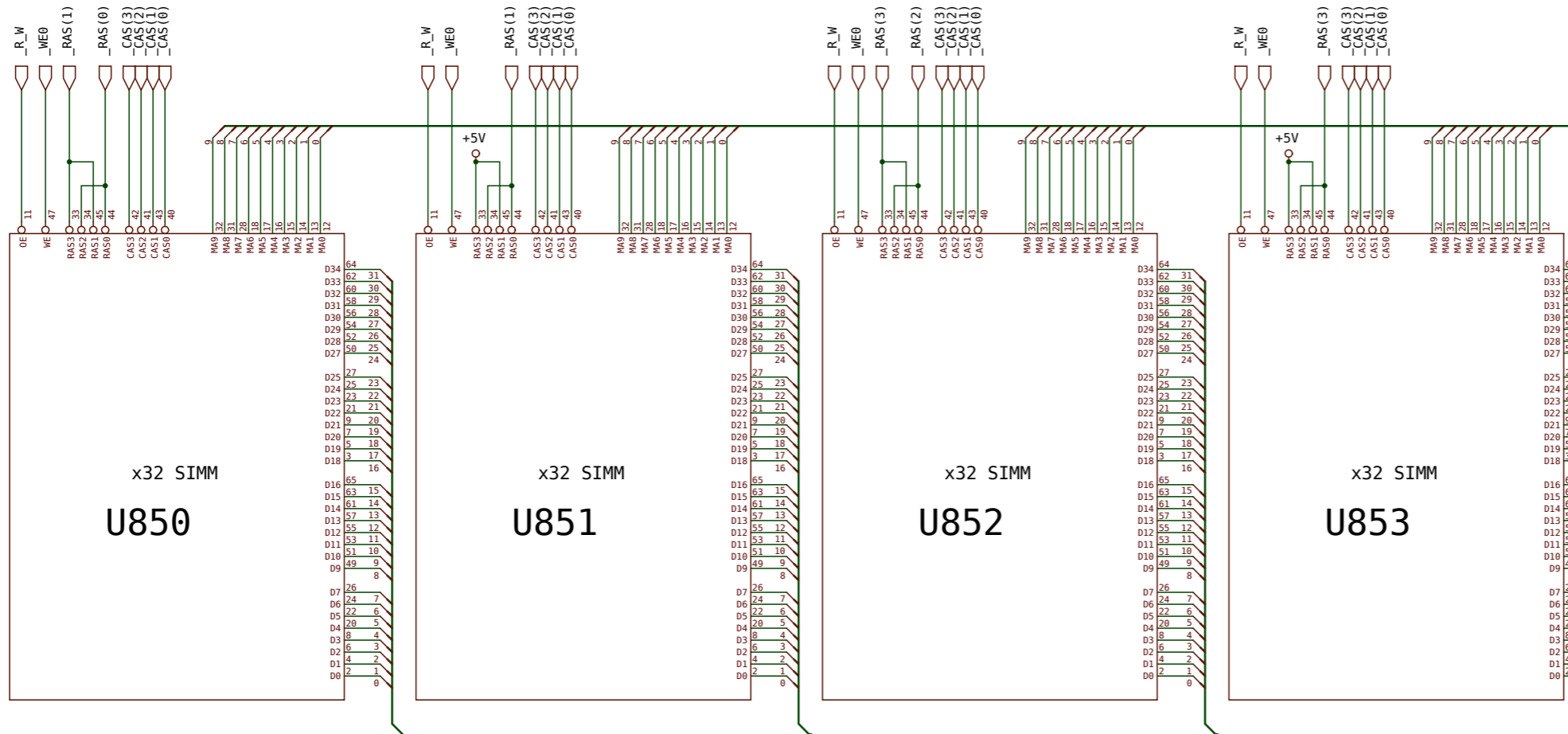
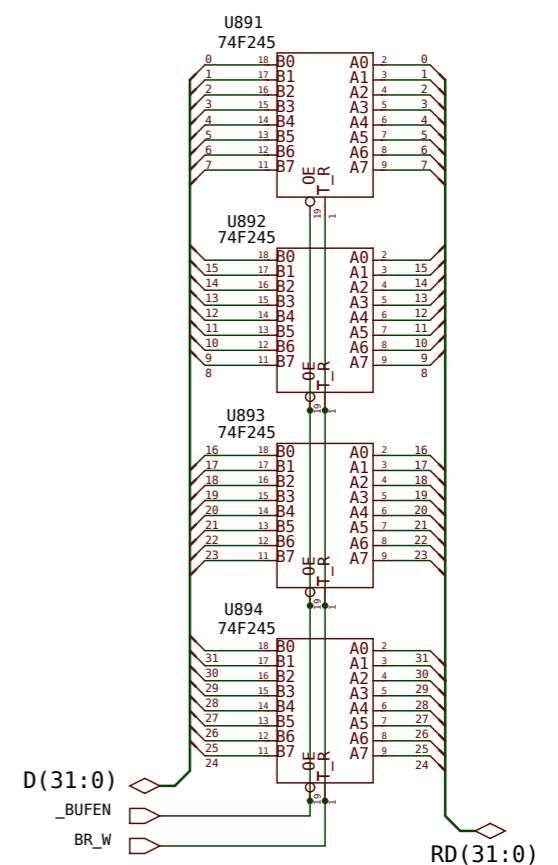
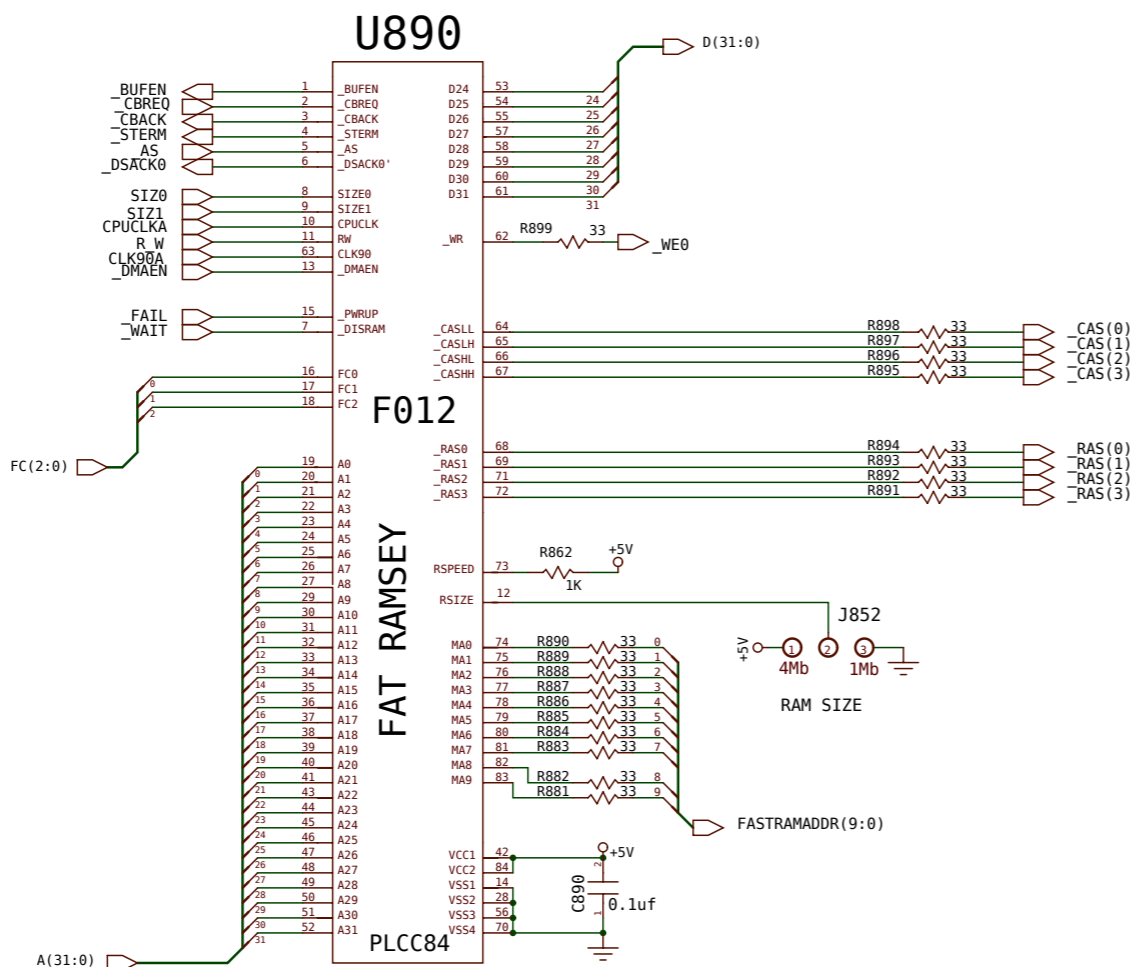
Local Bus / Coprocessor Connector		Commodore	
DRAWN BY: GREG BERLIN	DATE 1/30/92	SCHEMATIC	
CHKD: ENGR: GCB	APPR:	A4000cr	
USED ON	NEXT ASSY	SIZE C	REV A
A4000		365412	
PATH:		SCALE NONE	SHEET 12 OF 16



BUSTER & Expansion Bus Logic

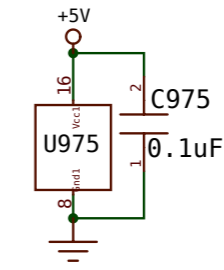
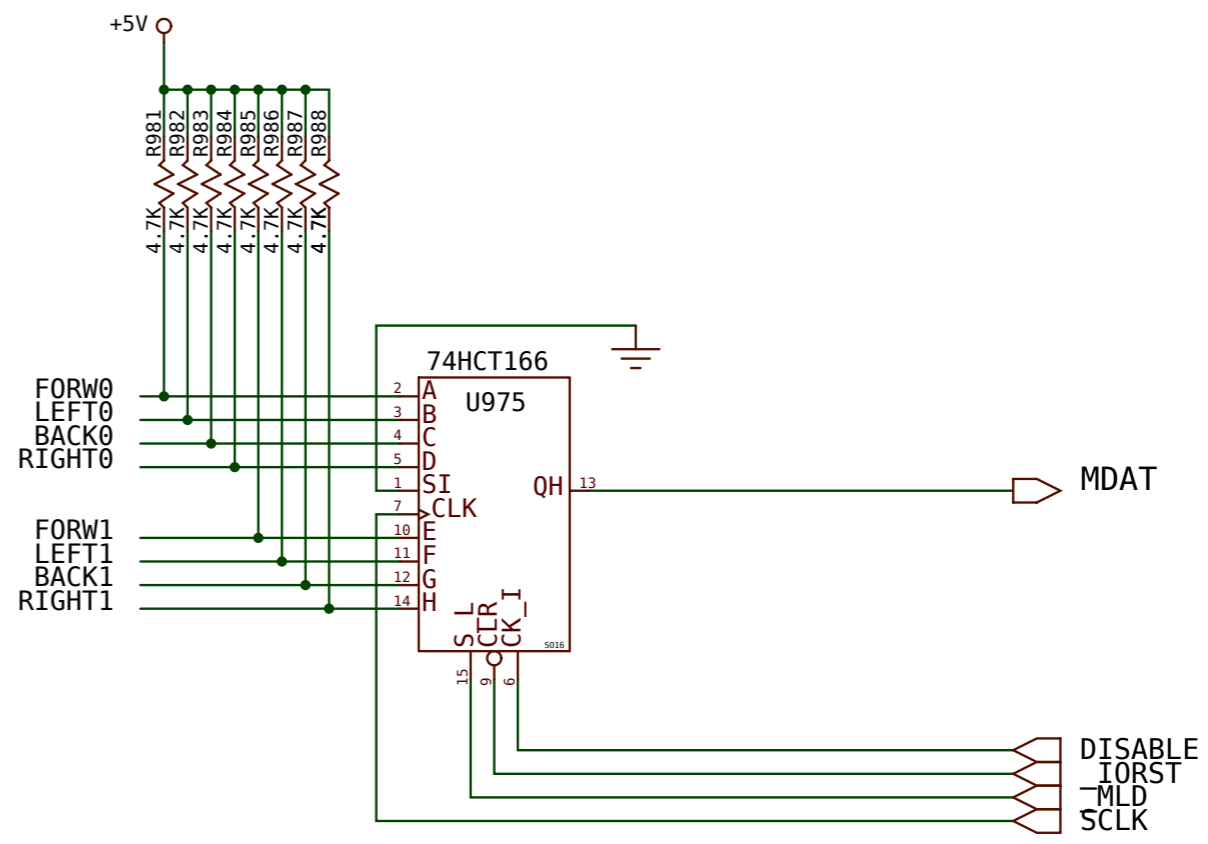
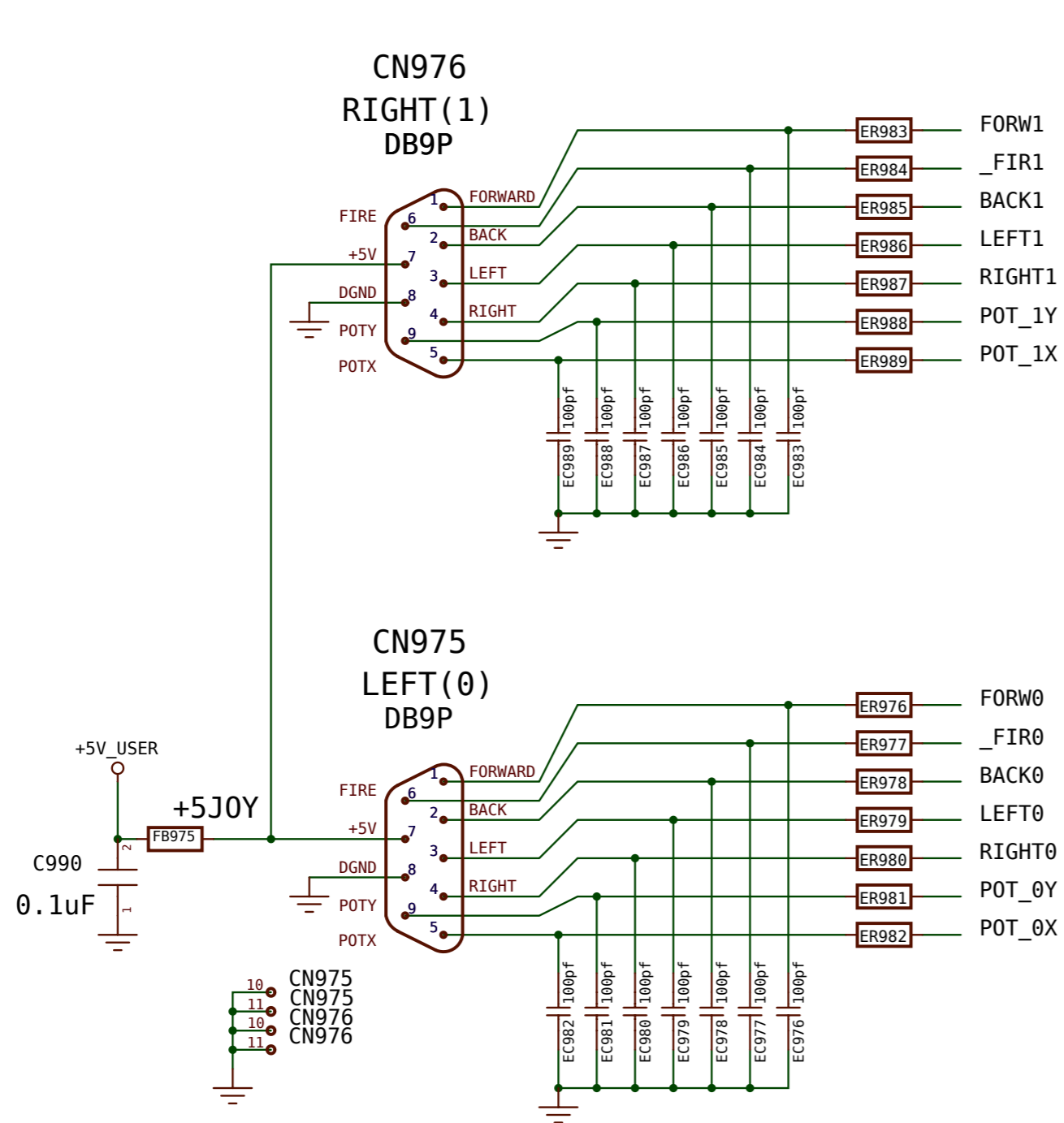
© 1992 COMMODORE-AMIGA, INC. Information contained herein is the unpublished, confidential and trade secret property of Commodore-Amiga, Inc. Any use, reproduction, or disclosure of this information without the prior written permission of Commodore is strictly prohibited.			DRAWN BY: GREG BERLIN ENGR: GCB APPR:	DATE: 1/28/92	Commodore SCHEMATIC A4000cr
USED ON: A4000	NEXT ASSY:		SIZE: C 365412	REV: A SCALE: NONE SHEET 13 OF 16	

C.A.D. Generated
No manual changes may be made to this document



© 1990 COMMODORE BUSINESS MACHINES Information contained herein is the unpublished, confidential, and trade secret property of Commodore Business Machines, Inc. Any use, reproduction or disclosure of this information without the prior written permission of Commodore is strictly prohibited.		UNLESS OTHERWISE SPECIFIED: DIMENSIONS: 0.X, 0.XX, 0.XXX TOLERANCES: FINISH: PATH:	DRAWN BY: GREG BERLIN DATE: 11/28/92 ENGR: GCB APPR: USED ON: A4000 NEXT ASSY:	DATE: 11/28/92 SCALE: NONE SHEET: 14 OF 16
C.A.D. Generated No manual changes may be made to this document.		Commodore SCHEMATIC A4000cr	REV: A	

Rev. 1.38 (12.12.2013)



Rev. 1.38 (28.12.2013)

Mouse & Joystick connectors

© 1990 COMMODORE BUSINESS MACHINES Information contained herein is the unpublished, confidential and trade secret property of Commodore Business Machines, Inc. Any use, reproduction or disclosure of this information without the prior written permission of Commodore is strictly prohibited. C.A.D. Generated No manual changes may be made to this document	UNLESS OTHERWISE SPECIFIED 0.X, 0.XX, 0.XXX ±1% MATERIAL: FINISH:	DRAWN BY: GREG BERLIN CHKD: ENGR: GCB APPR: USED ON: A4000 NEXT ASSY:	DATE: 3/30/92 Commodore SCHEMATIC A4000cr SIZE: C 365412 REV: A SCALE: NONE SHEET: 16 OF 16
	PATH:		
	© rebuild for www.amigawiki.org · for private use only		
	975-999		