

01_Intro

Date: A2286_Baby_RB_1_1.kicad_sch

02_1 MB DRAM

Date: A2286_Baby_RB_1_2.kicad_sch

03_BIOS EPROMS, PARITY LOGIC

Date: A2286_Baby_RB_1_3.kicad_sch

04_FDC & DECODING LOGIC

Date: A2286_Baby_RB_1_4.kicad_sch

05_RTC, KEYBOARD CONTROLLER

Date: A2286_Baby_RB_1_5.kicad_sch

06_Connectors

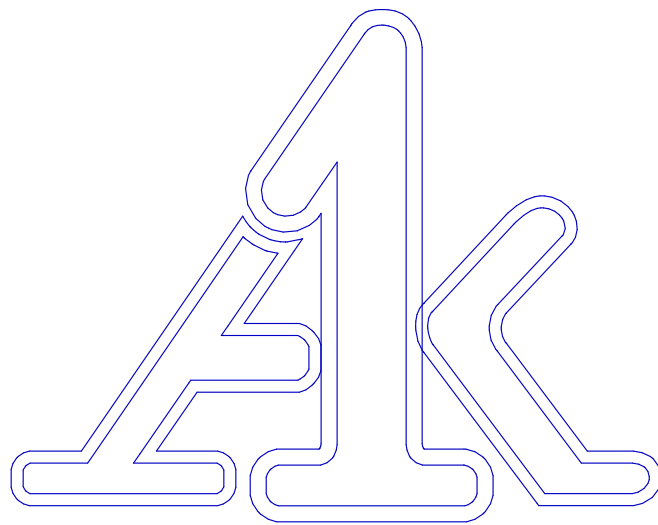
Date: A2286_Baby_RB_1_6.kicad_sch

07_BLOCK CAPS

Date: A2286_Baby_RB_1_7.kicad_sch

Sheet: /		
File: A2286_Baby_RB_1.kicad_sch		
Title:		
Size: A3	Date: 2024-03-30	Rev:
KiCad E.D.A. 8.0.1		Id: 1/8

SCHEMATIC AT SANDWICH BOARD
REV. 8.1



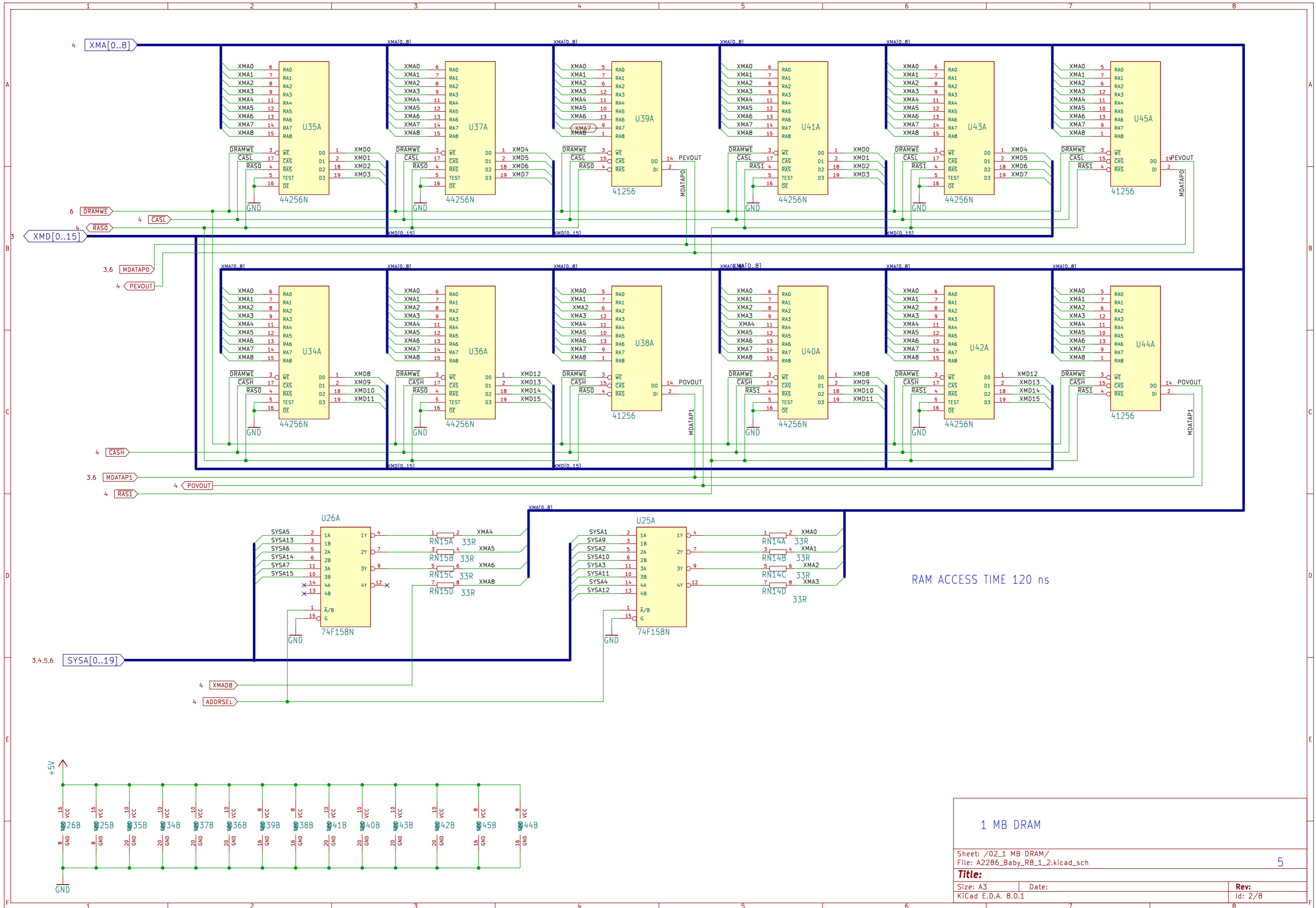
REDRAWN GONZO/A1k

Sheet: /01_Intro/
File: A2286_Baby_R8_1_1.kicad_sch

Title:

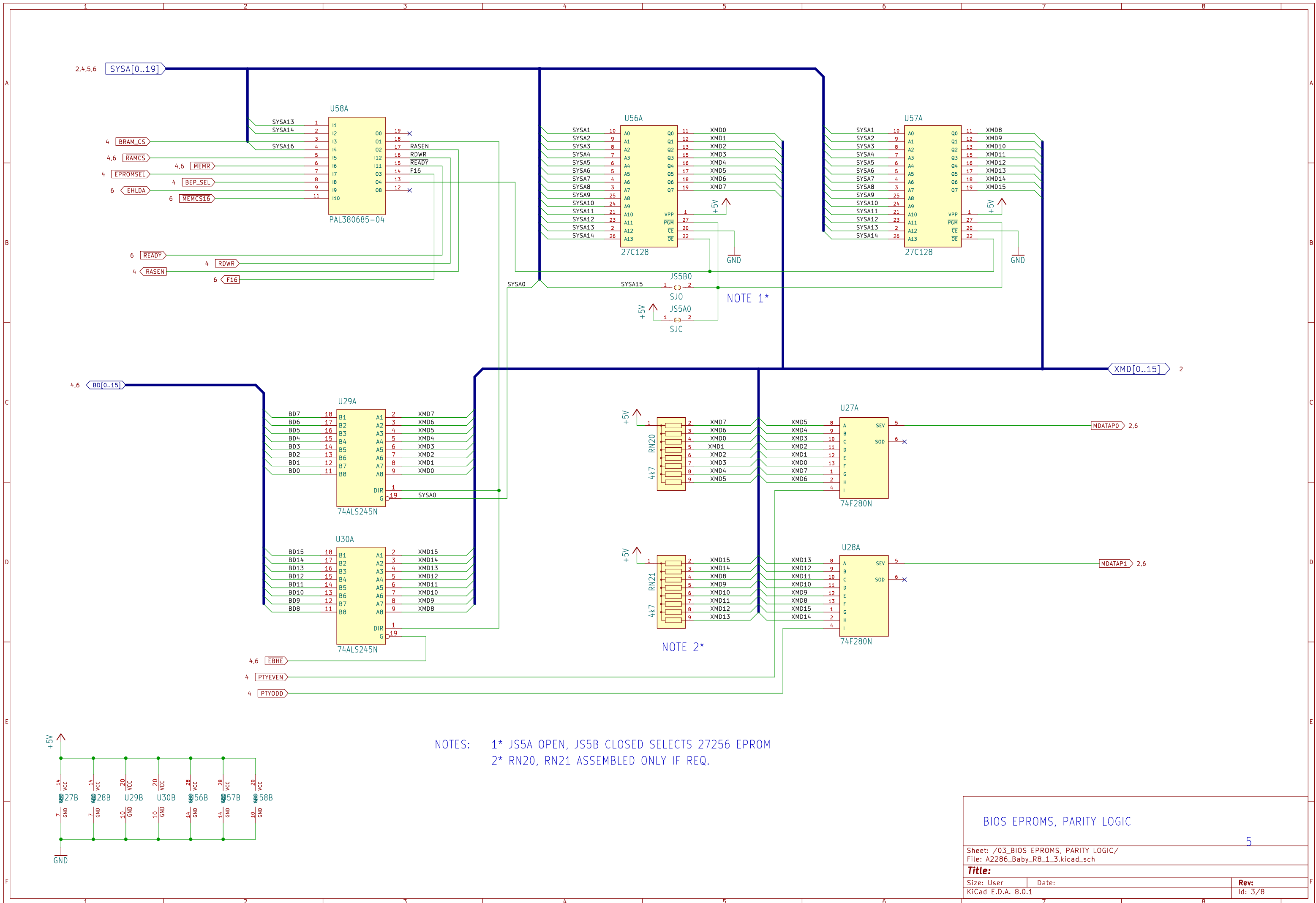
Size: User Date:
KiCad E.D.A. 8.0.1

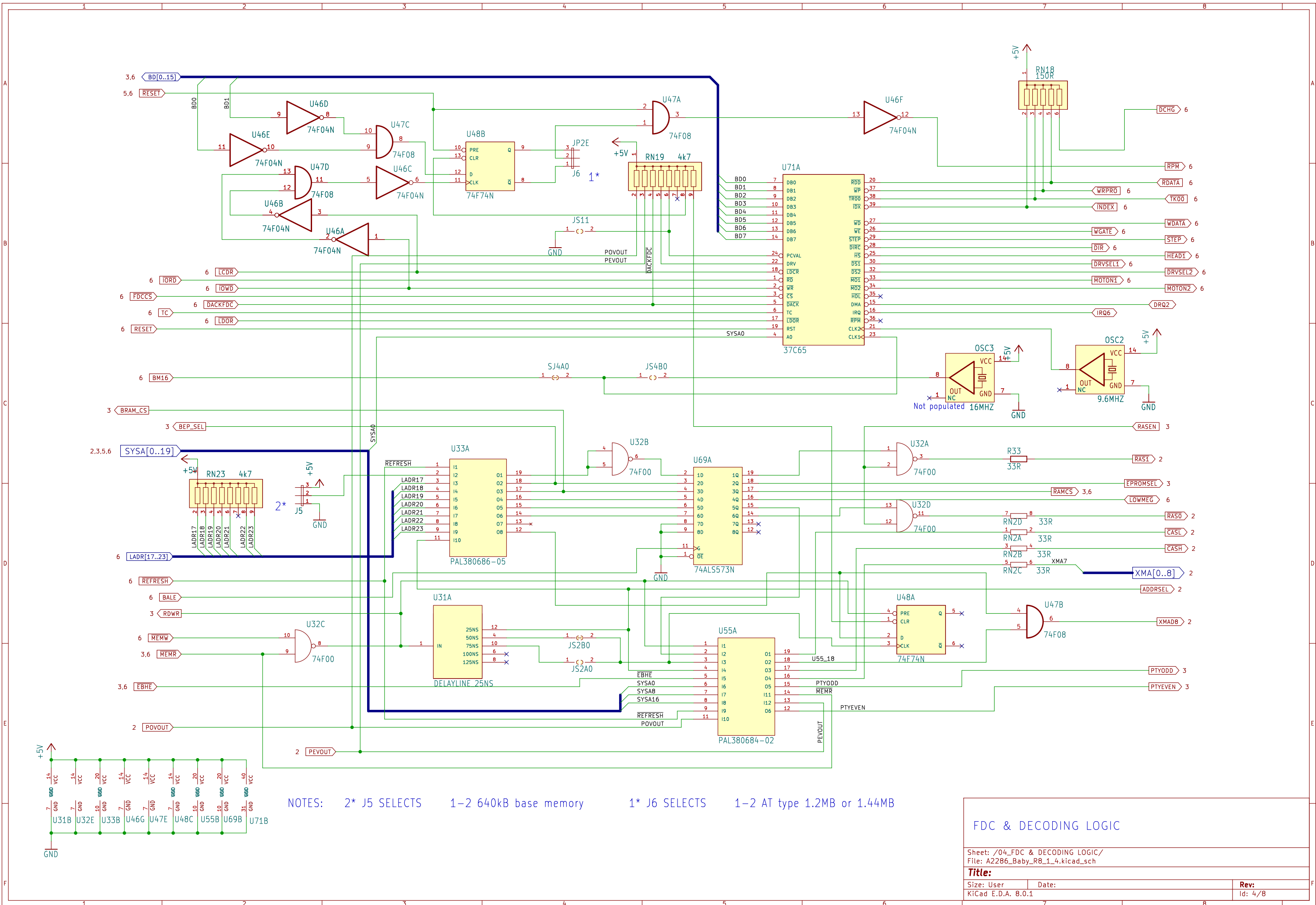
Rev:
Id: 1/8



RAM ACCESS TIME 120 ns

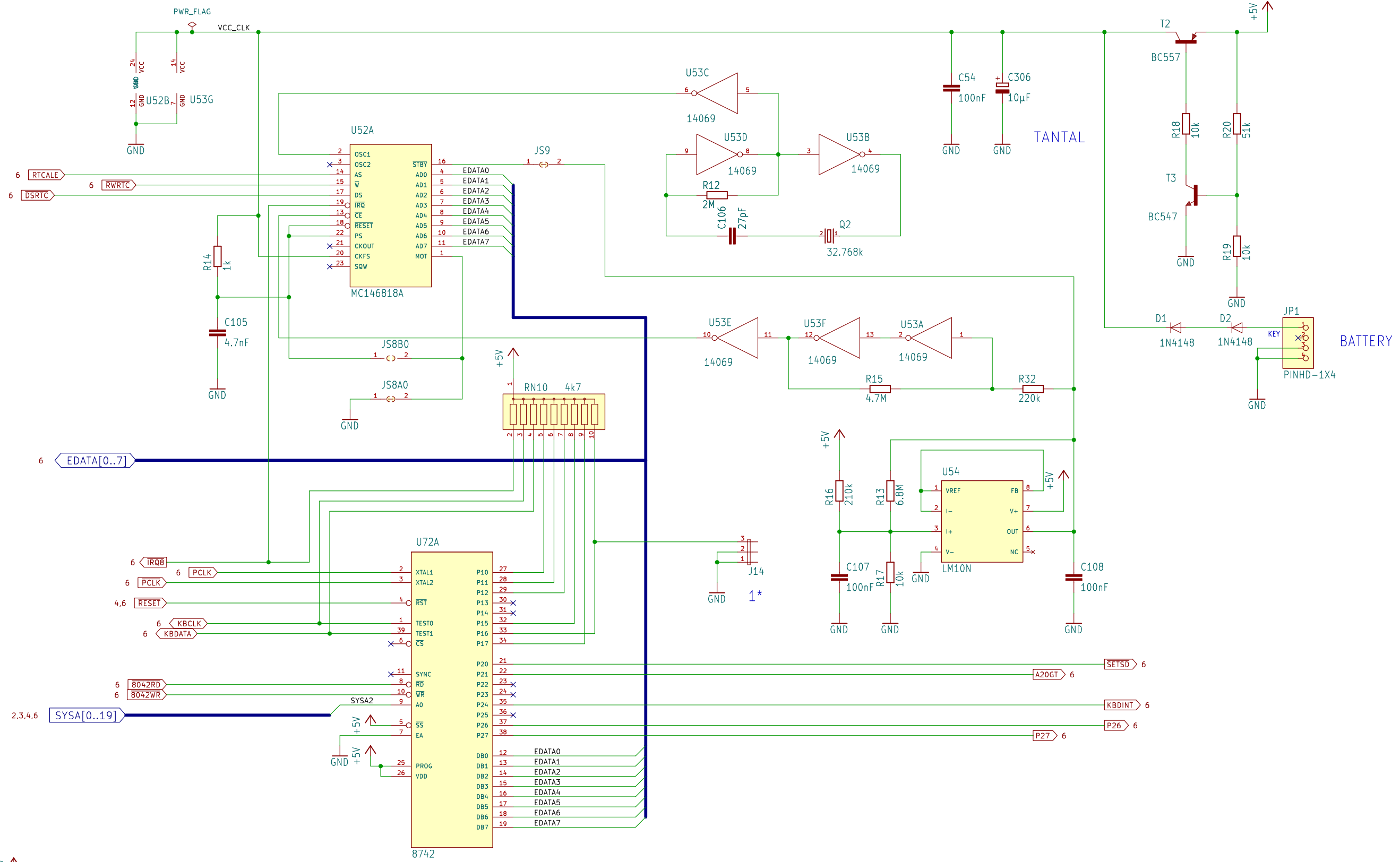
1 MB DRAM





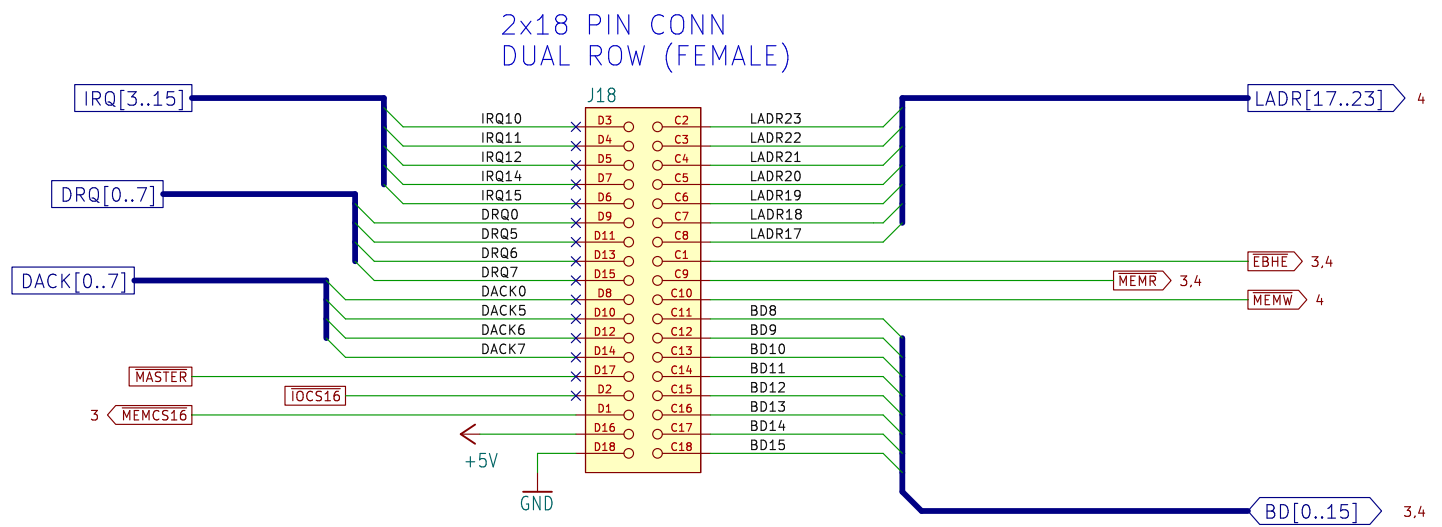
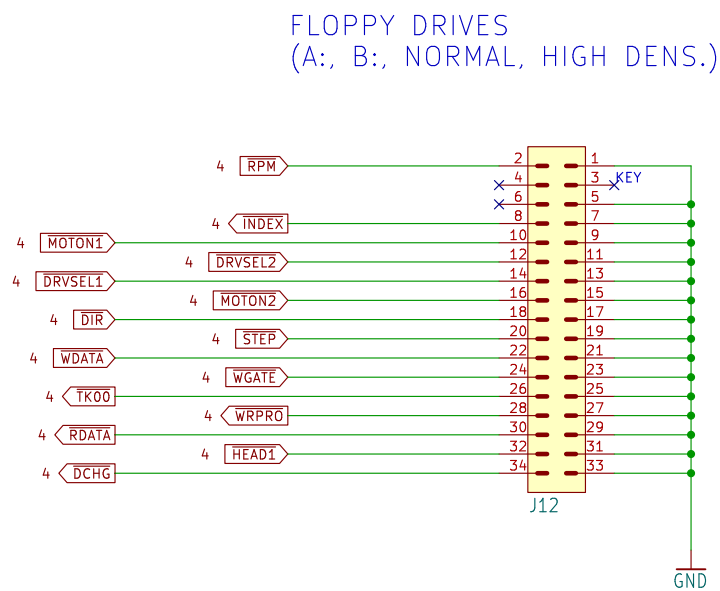
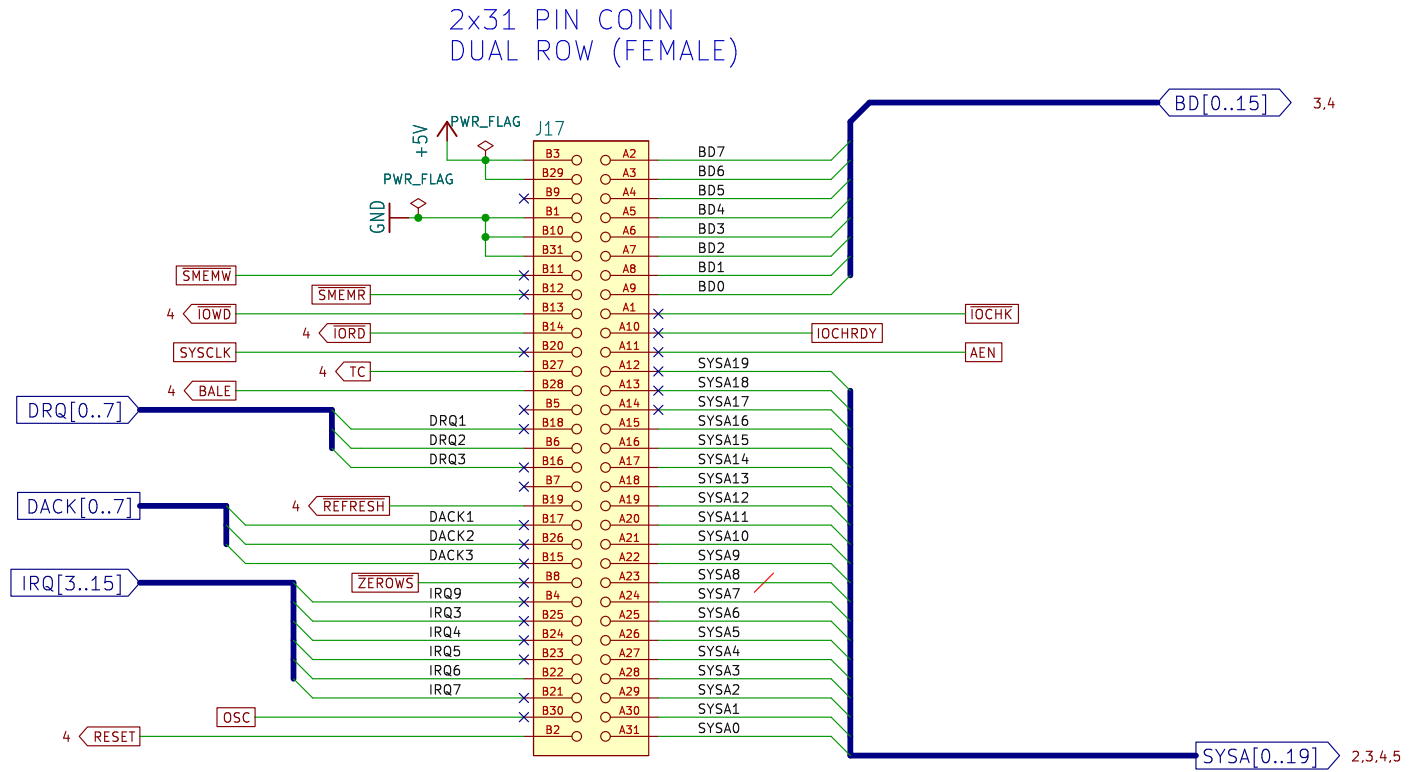
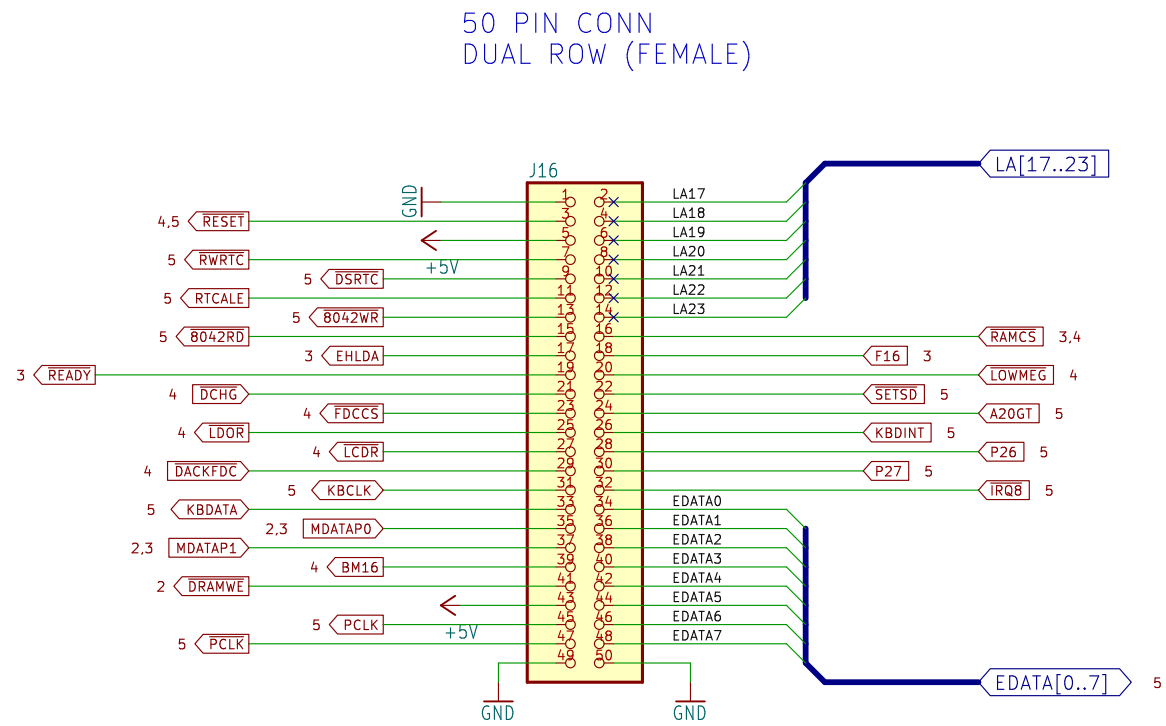
NOTES: 2* J5 SELECTS 1-2 640kB base memory 1* J6 SELECTS 1-2 AT type 1.2MB or 1.44MB

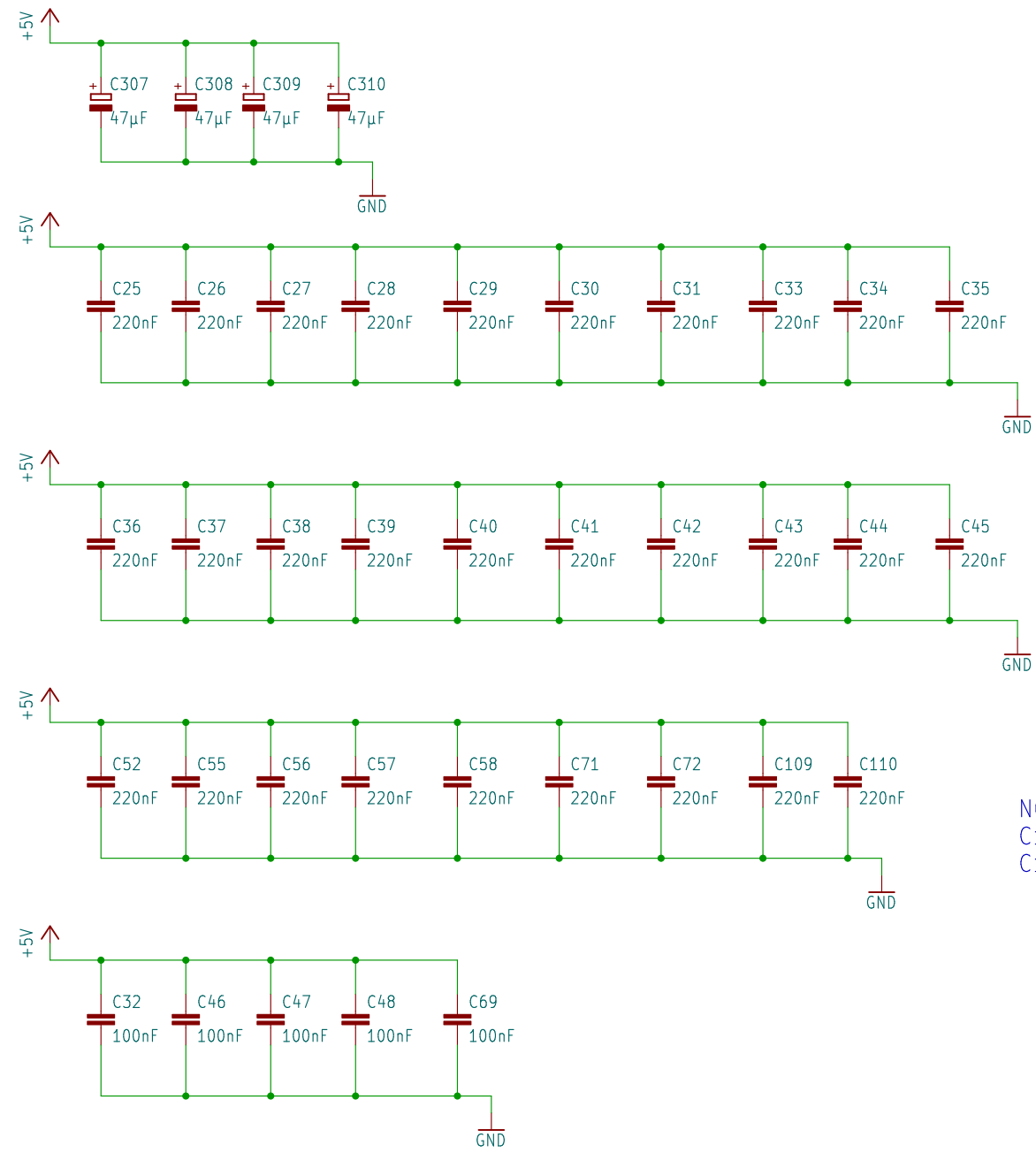
FDC & DECODING LOGIC		
Sheet: /04_FDC & DECODING LOGIC/		
File: A2286_Baby_R8_1_4.kicad_sch		
Title:		
Size: User	Date:	Rev:
KiCad E.D.A. 8.0.1		Id: 4/8



NOTES: 1* J14 SELECTS VIDEO STARTUP MODE:
 J14 1-4 CLOSED: MONOCHROM

RTC, KEYBOARD CONTROLLER		
Sheet: /05_RTC, KEYBOARD CONTROLLER/		
File: A2286_Baby_R8_1_5.kicad_sch		
Title:		
Size: User	Date:	Rev:
KiCad E.D.A. 8.0.1		Id: 5/8





Block Caps 5V:
 4 x 47µF / 16V
 29 x 220nF
 5 x 100nF

NOTES:
 C109 IS BLOCK CAP TO OSC2
 C110 IS BLOCK CAP TO OSC3

H1 MOUNT-HOLE3.0 H2 MOUNT-HOLE3.0

BLOCK CAPS

Sheet: /07_BLOCK CAPS/
 File: A2286_Baby_R8_1_7.kicad_sch

Title:

Size: User

Date:

Rev:

KiCad E.D.A. 8.0.1

Id: 7/8