

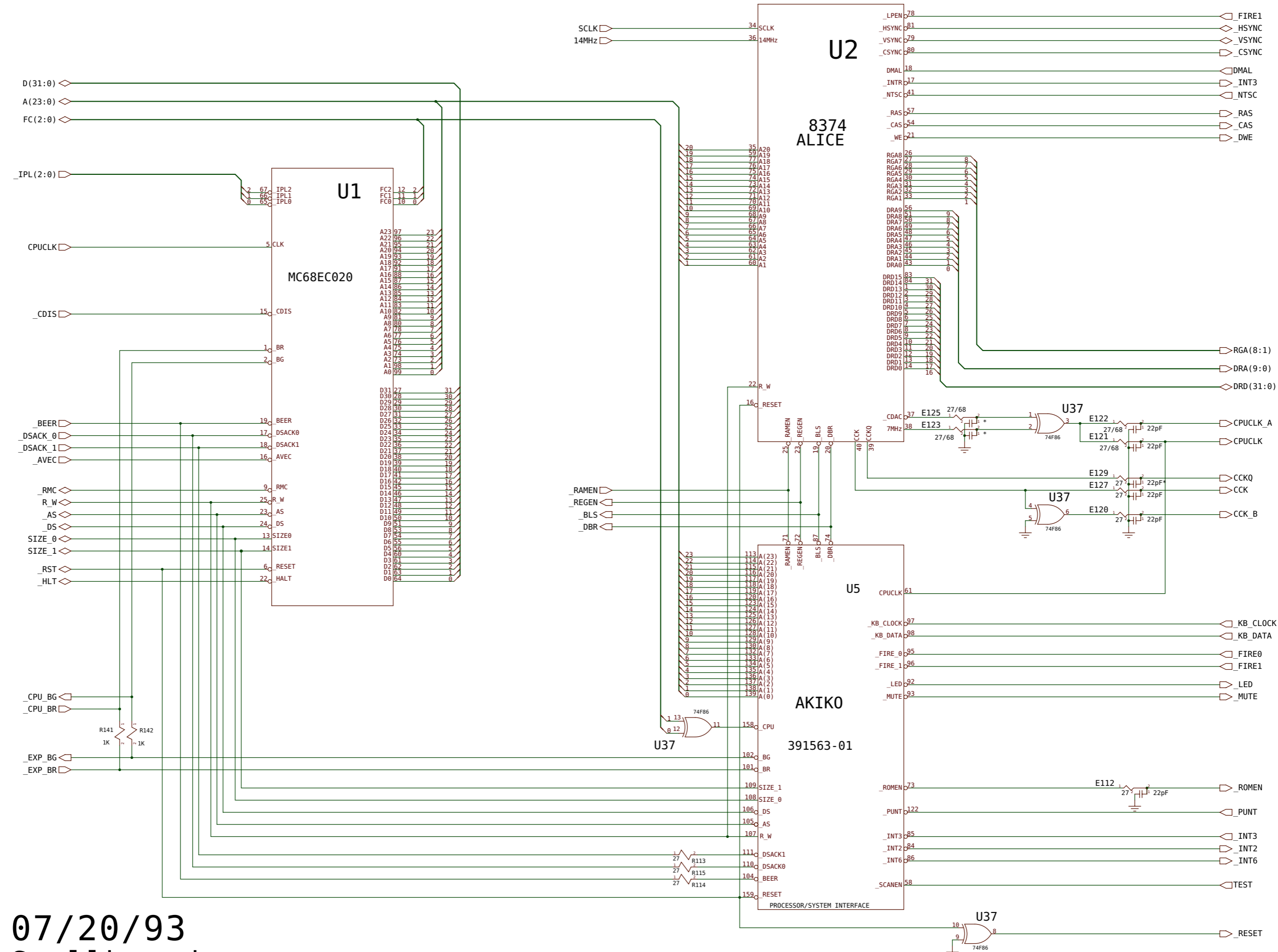
Amiga

CD32_R3

Rev.1.43 (27.09.2015)



www.amigawiki.org



07/20/93 Spellbound CD/GS PLAYER PCB

Note: Various components are for EMI Control and may be loaded with funny things...

07/20/93

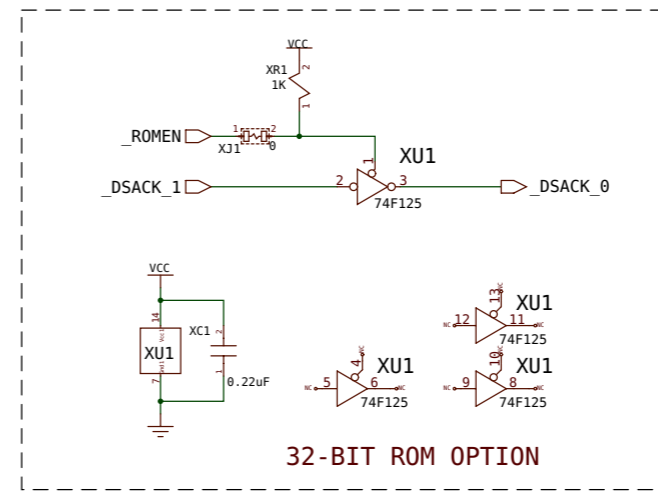
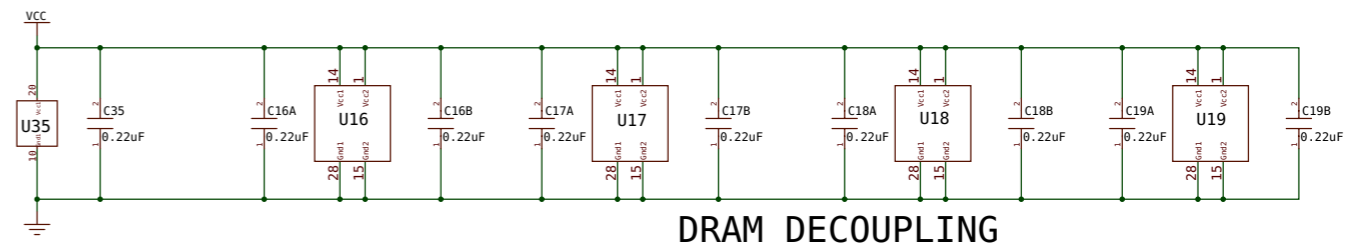
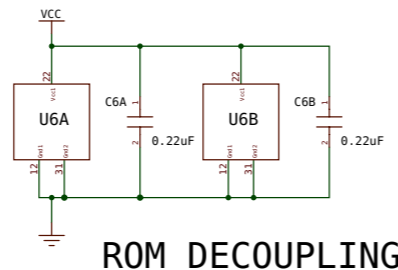
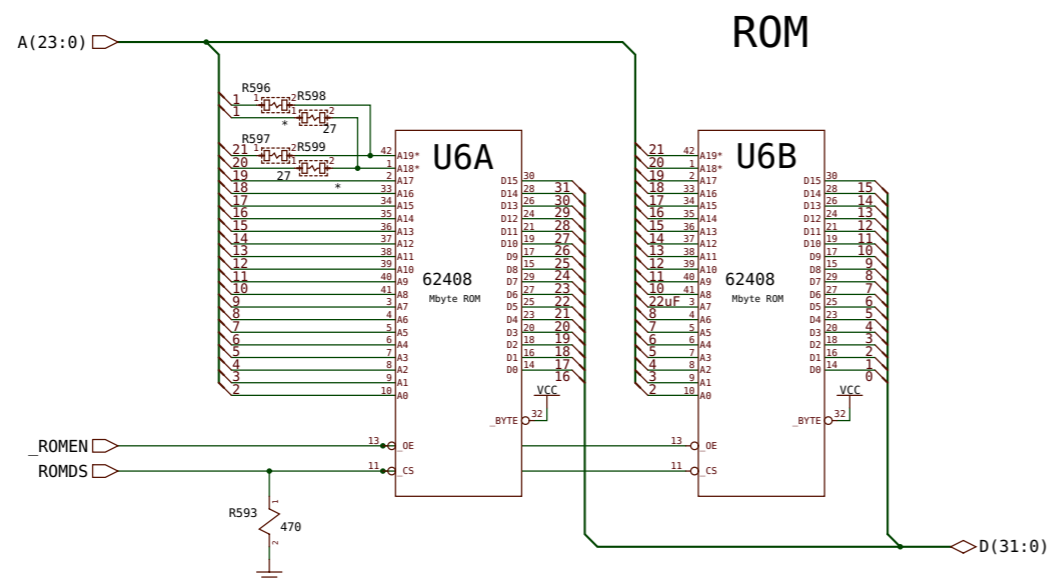
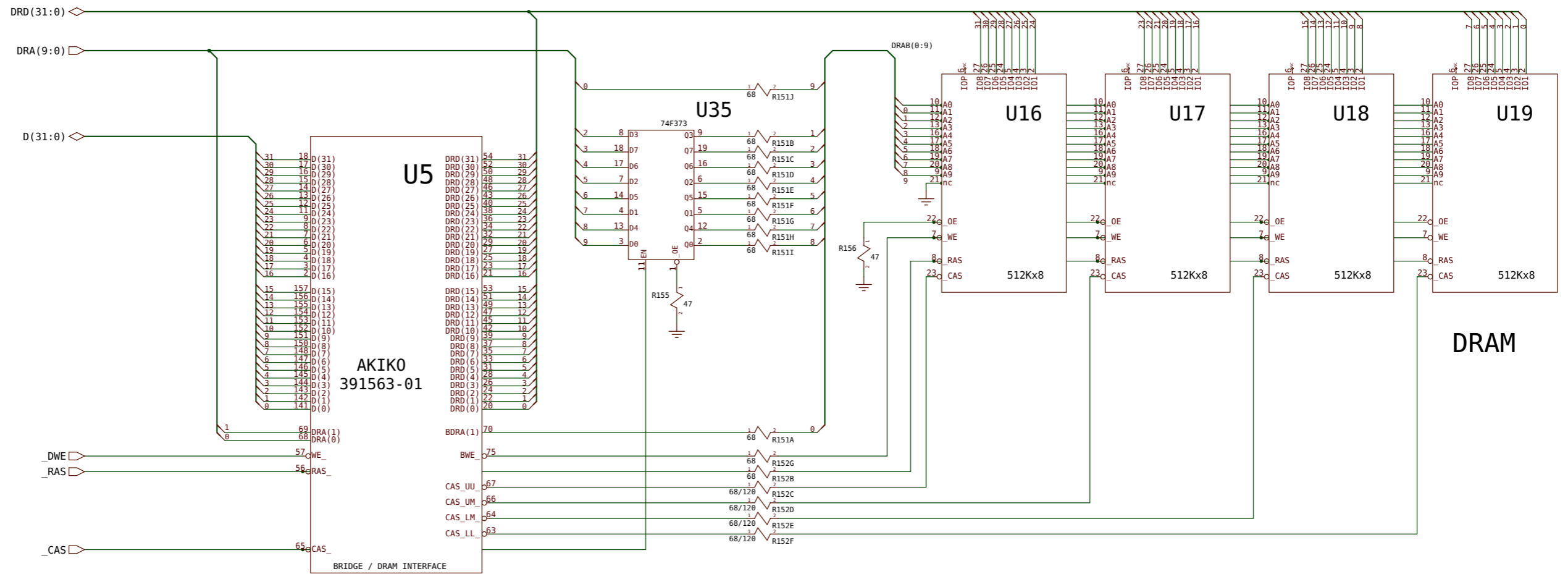
rebuild for www.amigawiki.org · for private use only

PROCESSOR AND OTHER USEFUL COMPONENTS			
DESIGN BY:	G. Robbins	DATE:	08/02/93
CHKD BY:	GRB	REV:	001/00/93
LAST. BY:	GRB	REV:	001/00/93
CHKD BY:	GRB	REV:	001/00/93
DATE:	08/02/93	SCALE:	
USED ON:	C/A100	NEXT ASSY:	365101
C/A100		SCALE:	C 365100
		SCALE:	SHEET 2 OF 10

© 1992 Commodore Business Machines
Information contained herein is the unpublished, confidential and trade secret property of Commodore Business Machines, Inc. Any use, reproduction or disclosure of this information without the prior written permission of Commodore is strictly prohibited.

C.A.D. Generated
No manual changes may be made to this document

Commodore
Schematic CD/GS Rev 3
Unit - "Spellbound"



CD/GS PLAYER PCB

ROM DECOUPLING

MEMORY AND... WELL, I USED TO REMEMBER

© 1992 Commodore Business Machines
 Information contained herein is the unpublished,
 confidential and trade secret property of
 Commodore Business Machines, Inc. Any use,
 reproduction or disclosure of this information
 without the prior written permission of
 Commodore is strictly prohibited.

DESIGN BY: G. Robbins
 DATE: 08/02/92
 DRAWN: GRS
 DATE: 08/06/92
 CHECKED: JMM
 DATE: 08/10/92
 APPROVED: [Signature]

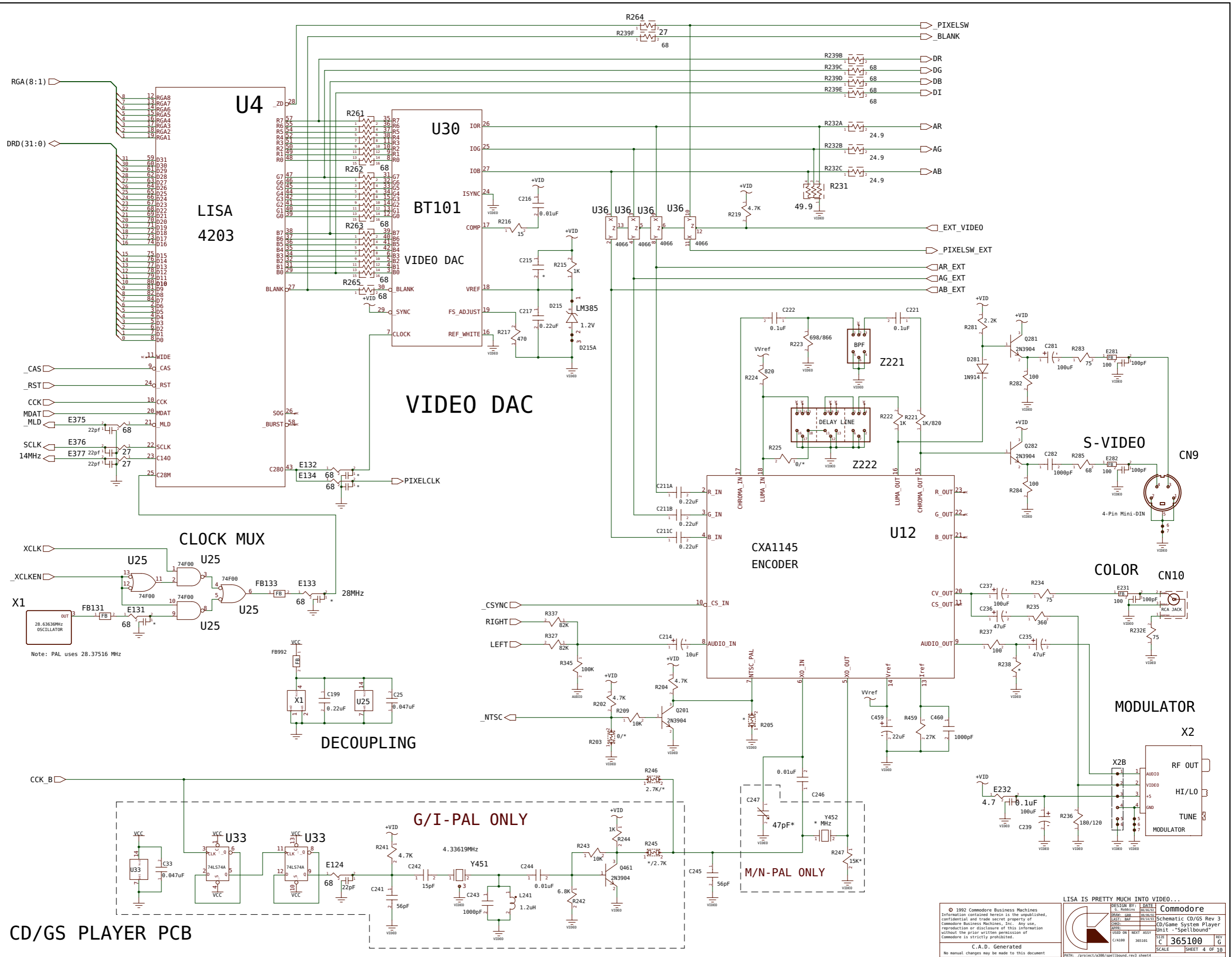
Commodore
 CD/Game System Player
 Unit - "Spellbound"

USED ON: C/A100
 NEXT ASSY: 365101

SCALE: 1:1
 SHEET: 3 OF 10
 REV: G

C.A.D. Generated
 No manual changes may be made to this document

PATH: /projects/a300/spellbound_rev3 sheet3



CD/GS PLAYER PCB

rebuild for www.amigawiki.org · for private use only

LISA IS PRETTY MUCH INTO VIDEO...

© 1992 Commodore Business Machines. Information contained herein is the unpublished, confidential and trade secret property of Commodore Business Machines, Inc. Any use, reproduction or disclosure of this information without the prior written permission of Commodore is strictly prohibited.

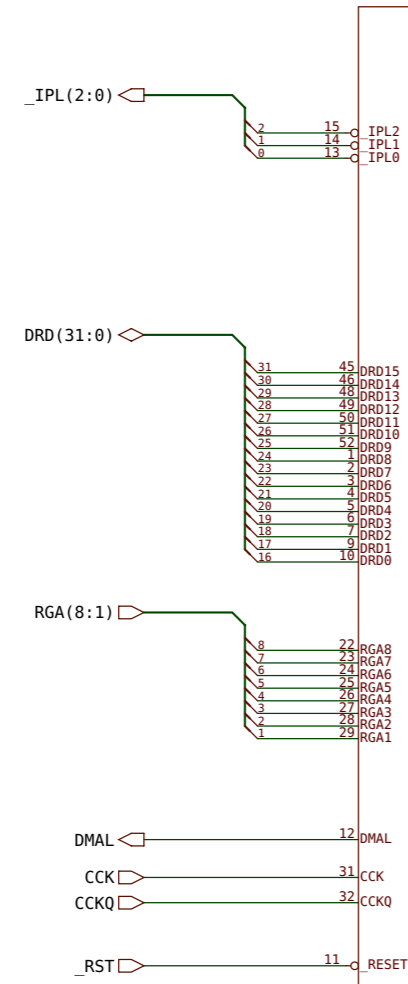
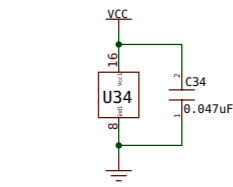
C.A.D. Generated
No manual changes may be made to this document

DESIGN BY: G. Robbins	DATE: 08/02/92
CHKD: GRS	08/02/92
ASST. MGR: GRS	08/02/92
CHKD: GRS	08/02/92
USID OR: C/A100	NEXT ASSY: 365101
SCALE: C	SHEET: 4
REV: G	REV: 10

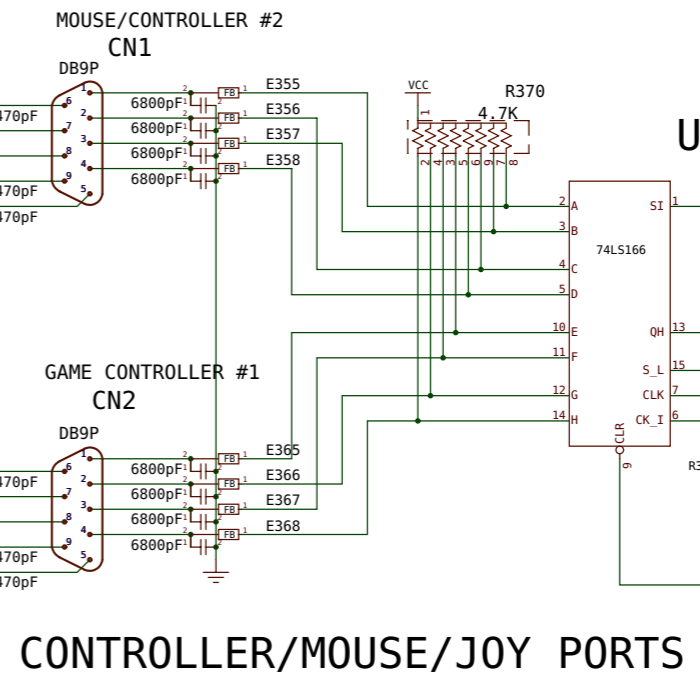
Commodore
Schematic CD/GS Rev 3
Unit - "Spellbound"
C 365100

PATH: /proj/rect/a300/spellbound_rev3.sht4

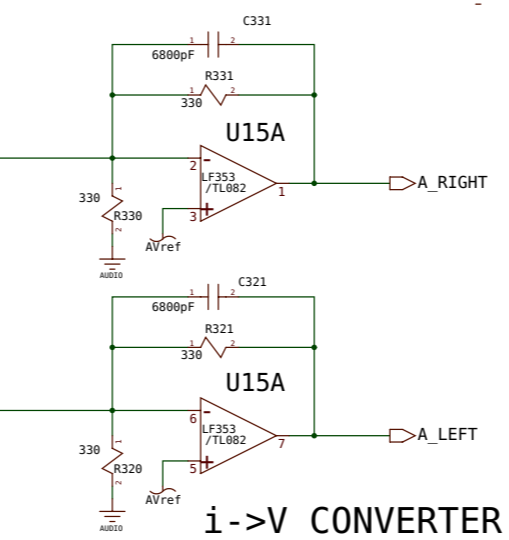
DECOUPLING



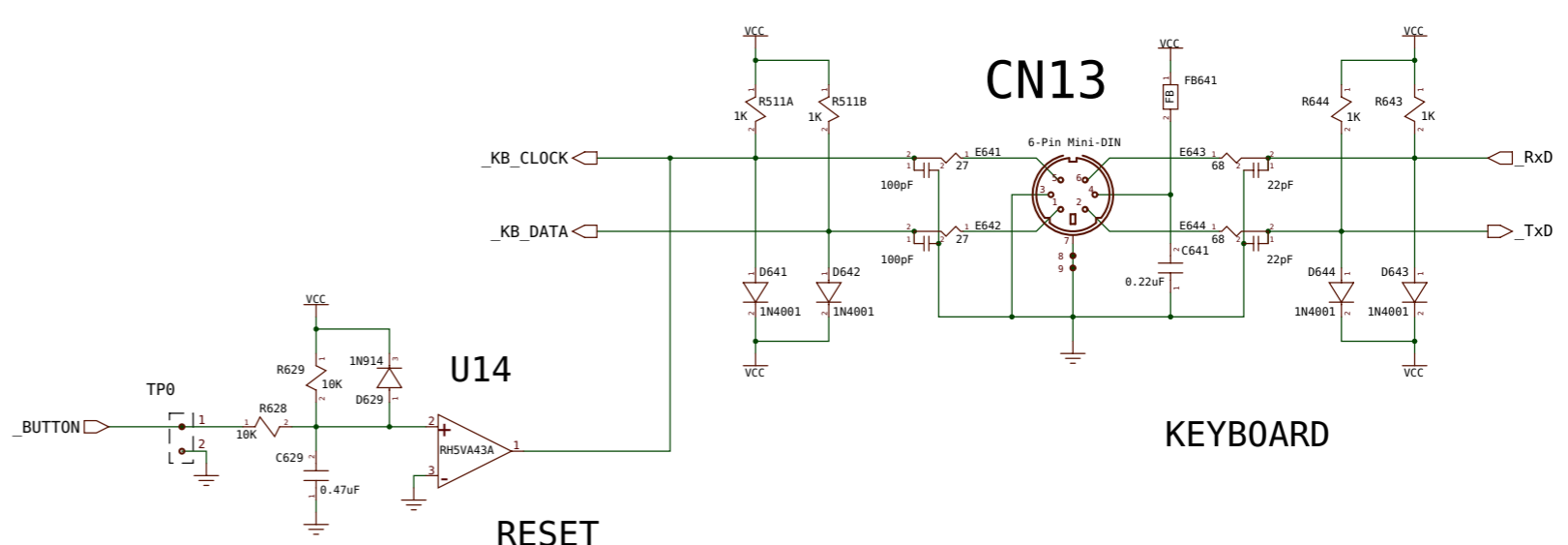
U3
PAULA
8364



CONTROLLER/MOUSE/JOY PORTS



i->V CONVERTER



KEYBOARD

RESET

CD/GS PLAYER PCB

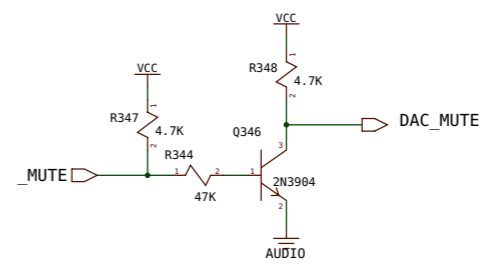
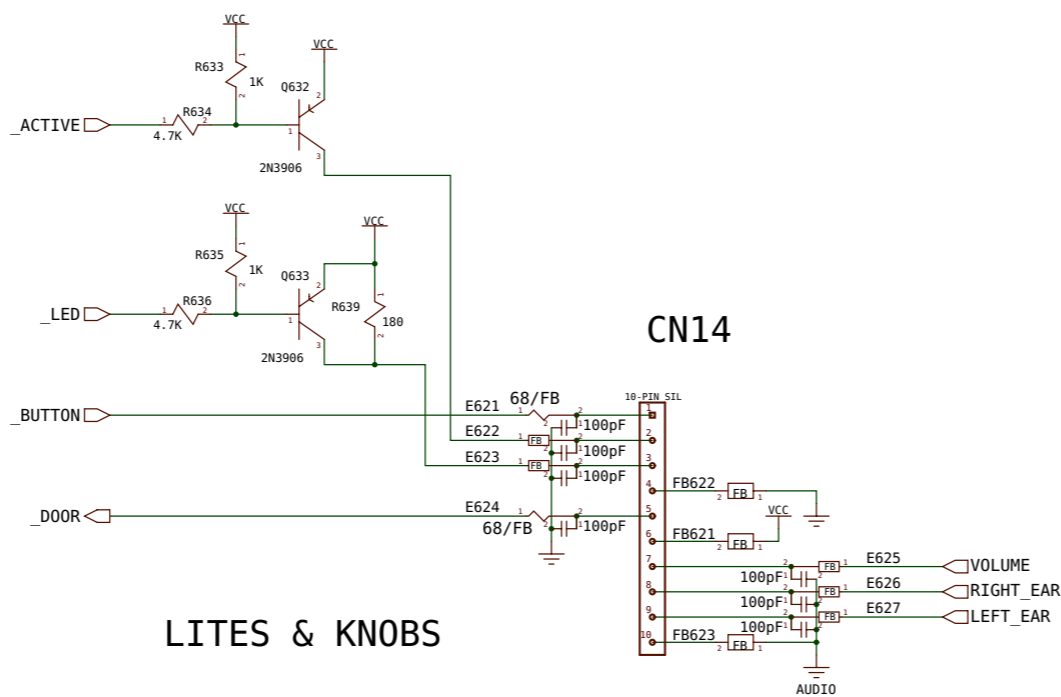
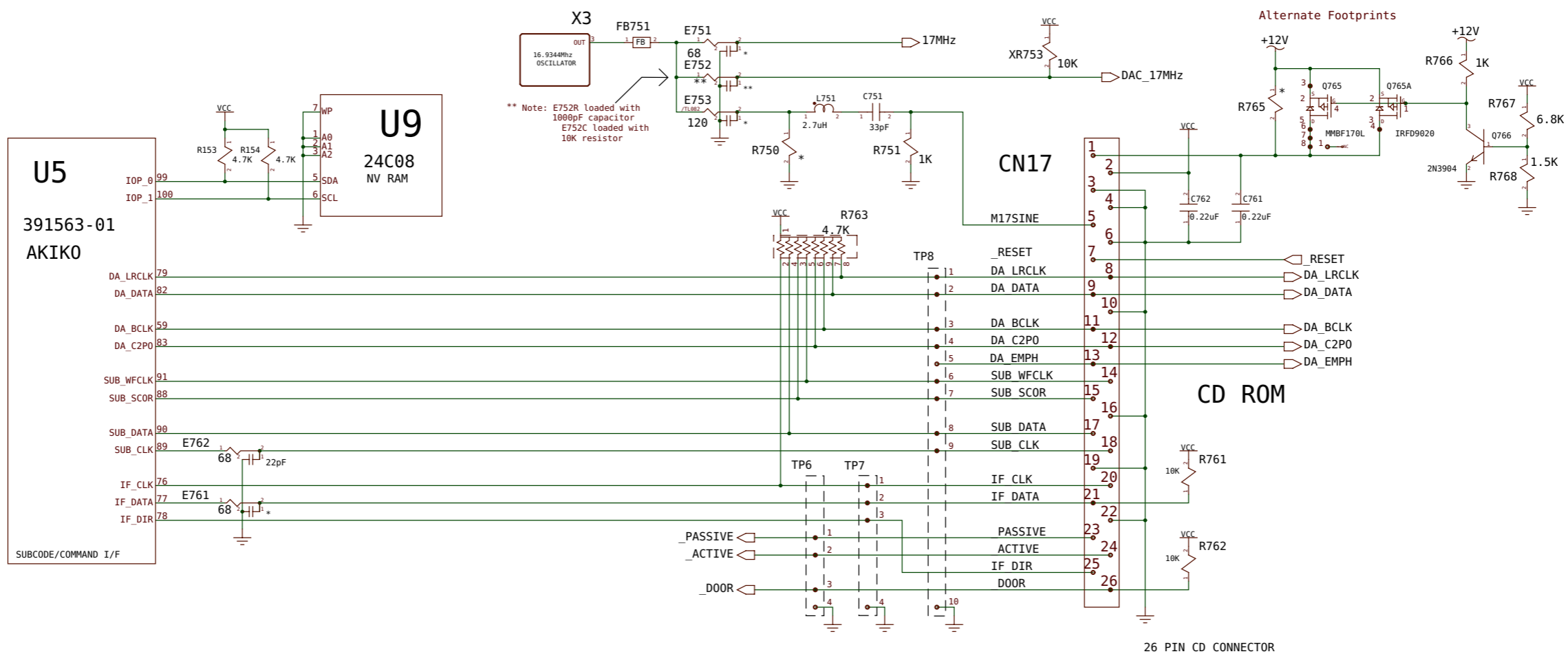
PAULA PREFERS THE TRADITIONAL MODES

DESIGN BY: G. Robbins	DATE: 08/02/92	Commodore
CD/GE Rev 3	Unit - "Spellbound"	
SCALE: 1:1	SHEET: 5 OF 10	REV: G

© 1992 Commodore Business Machines
Information contained herein is the unpublished, confidential and trade secret property of Commodore Business Machines, Inc. Any use, reproduction or disclosure of this information without the prior written permission of Commodore is strictly prohibited.

C.A.D. Generated
No manual changes may be made to this document

PATH: /rsrc/rect/a300/spellbound_rev3.sheets



CD/GS PLAYER PCB

Rev. 1.01 (12/26/2011)

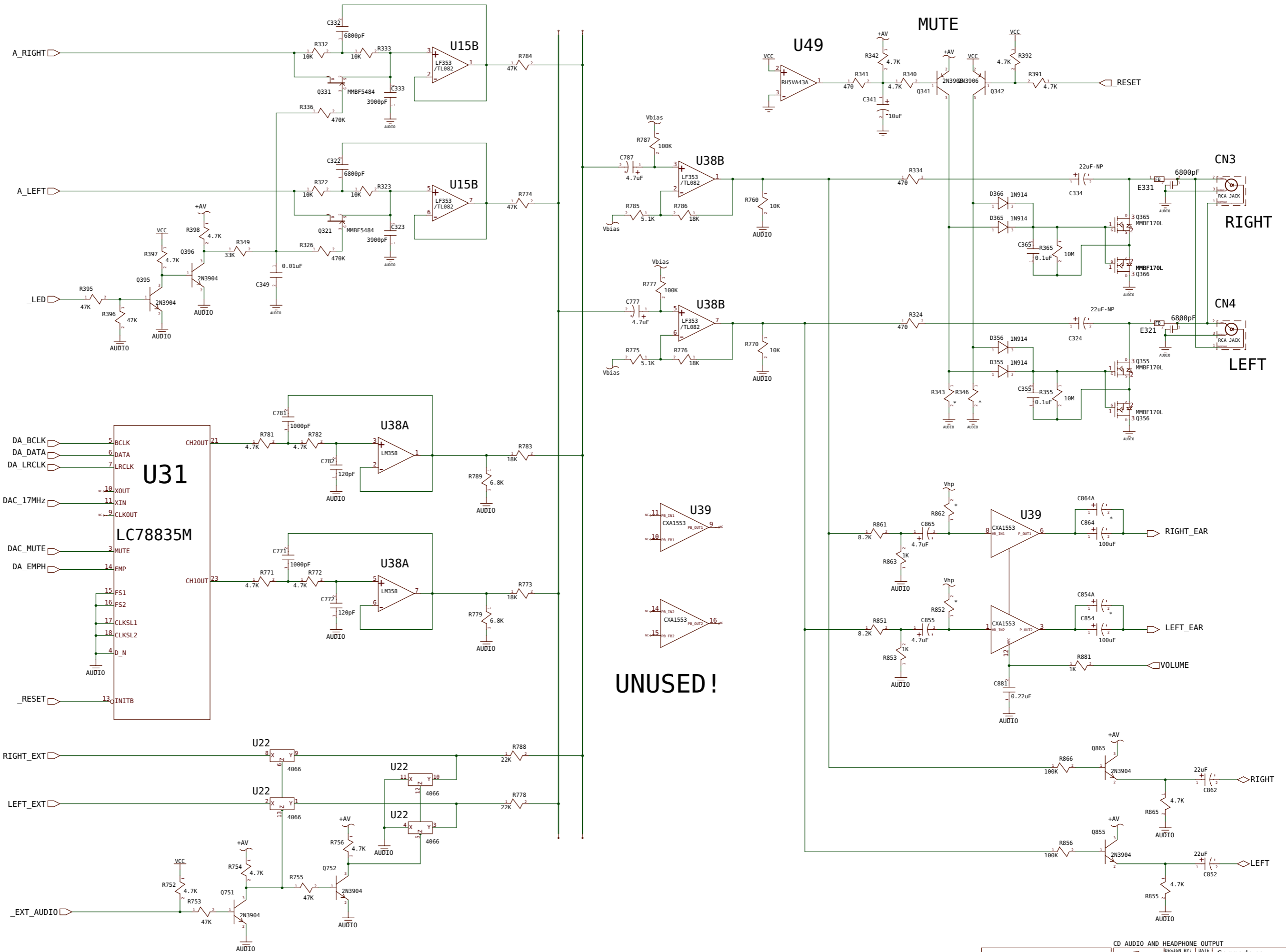
© rebuild for www.amigawiki.org · for private use only

CD ROM, THE WAVE OF THE FUTURE - NOT!

DESIGN BY: G. Robbins	DATE: 08/02/92	Commodore Schematic CD/GS Rev 3 CD/Game System Player Unit - "Spellbound"
CHKD BY: G. Robbins	DATE: 08/02/92	
USHD OR: C/A100	NEXT ASSY: 365101	STER: C
C.A.D. Generated		SCALE: SHEET 6 OF 10

No manual changes may be made to this document

PATH: /proj/ct/a300/spellbound_rev2_sheet6



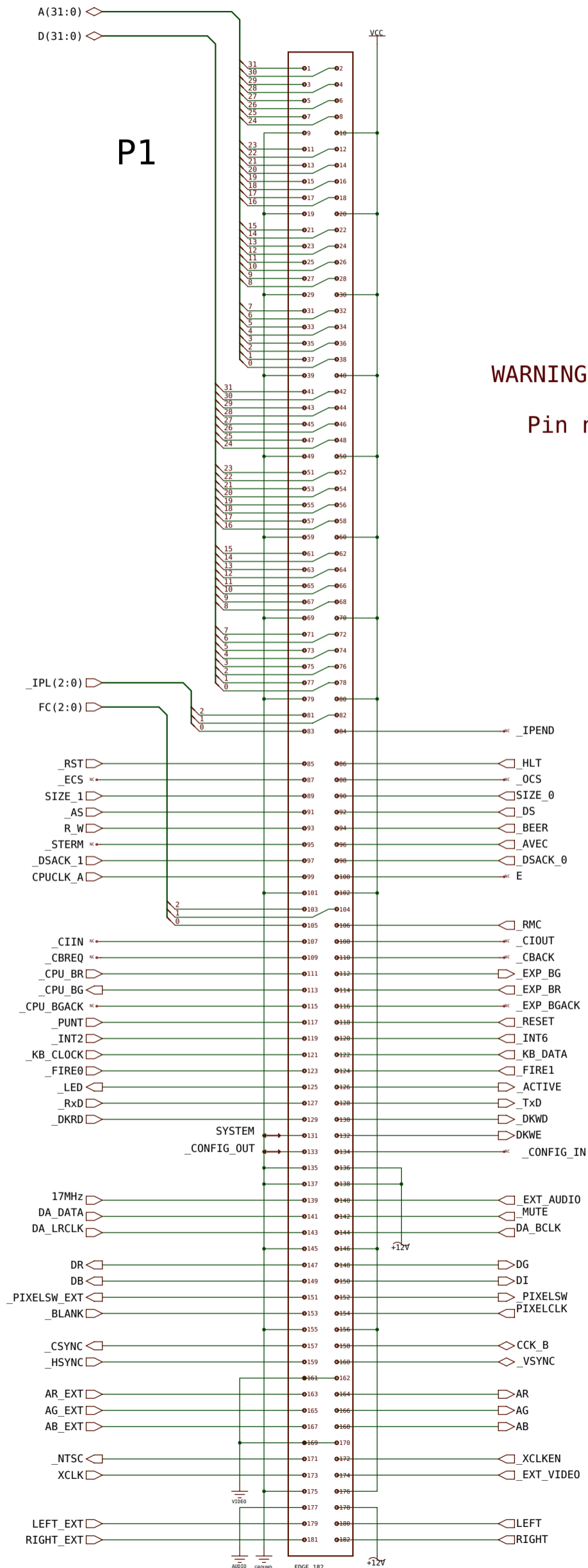
UNUSED!

CD/GS PLAYER PCB

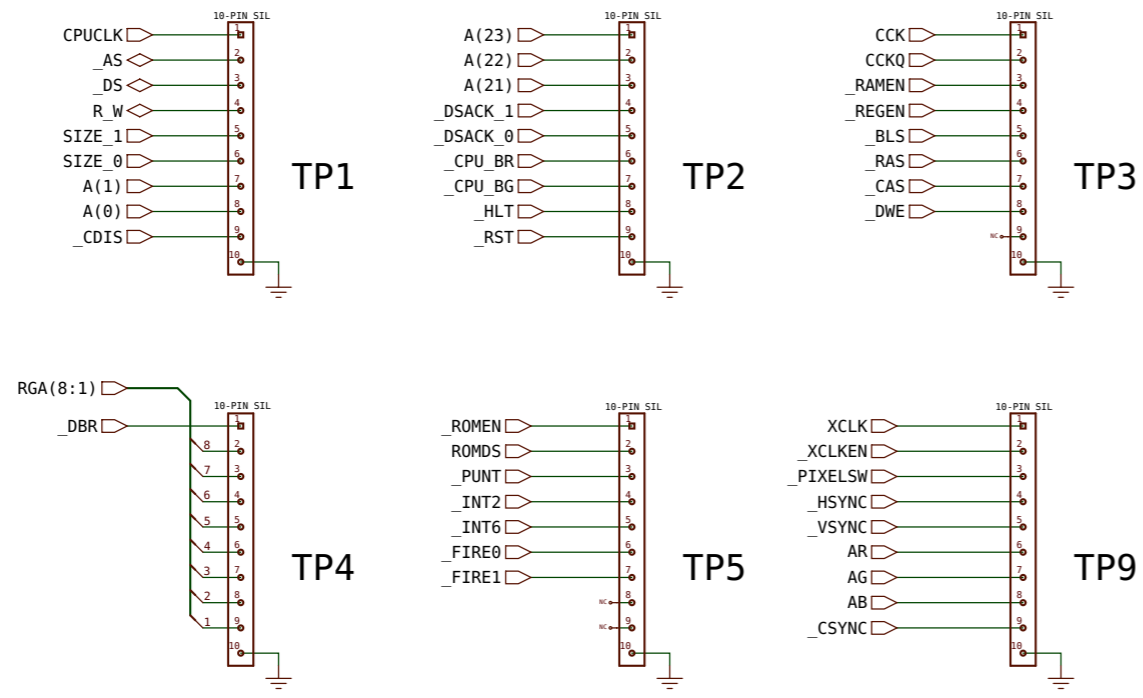
© rebuild for www.amigawiki.org · for private use only

© 1992 Commodore Business Machines Information contained herein is the unpublished, confidential and trade secret property of Commodore Business Machines, Inc. Any use, reproduction or disclosure of this information without the prior written permission of Commodore is strictly prohibited.		Commodore Schematic CD/GS Rev 3 Unit - "Spellbound"	
DESIGN BY: G. Robbins DATE: 08/02/92	DRAWN BY: G. Robbins DATE: 08/02/92	CHECKED BY: G. Robbins DATE: 08/02/92	DESIGNED BY: G. Robbins DATE: 08/02/92
USED ON: C/A100	NEXT ASSY: 365101	SCALE: C	REV G 365100
C.A.D. Generated No manual changes may be made to this document		PATH: /proj/rect/a300/spellbound_rev3_sheet7	

EXPANSION CONNECTOR

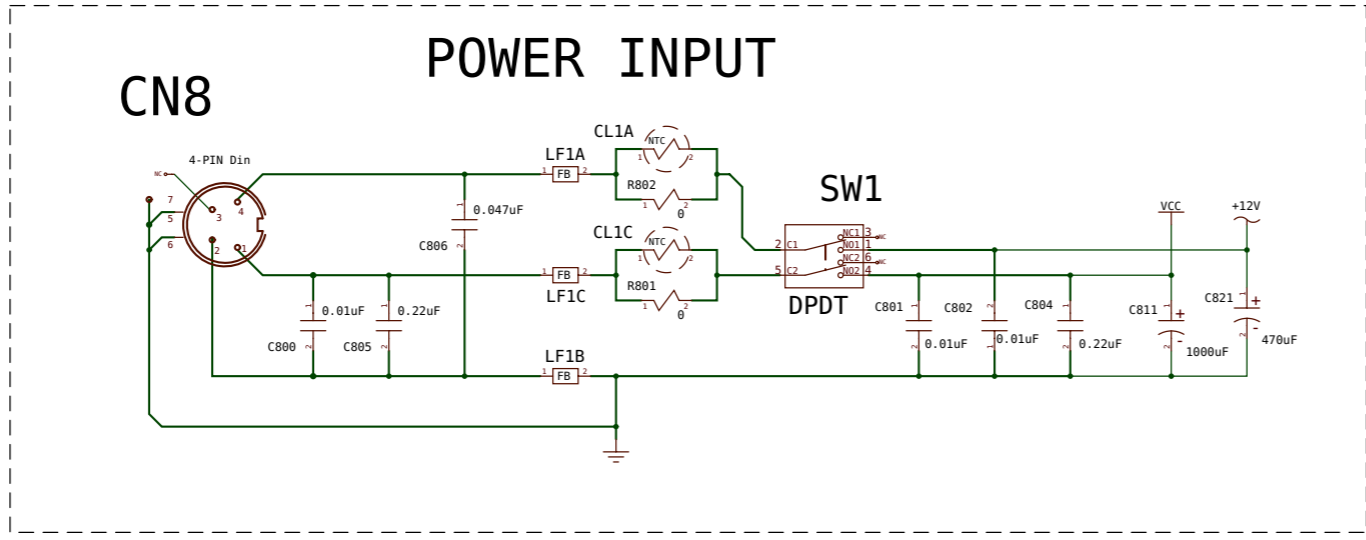
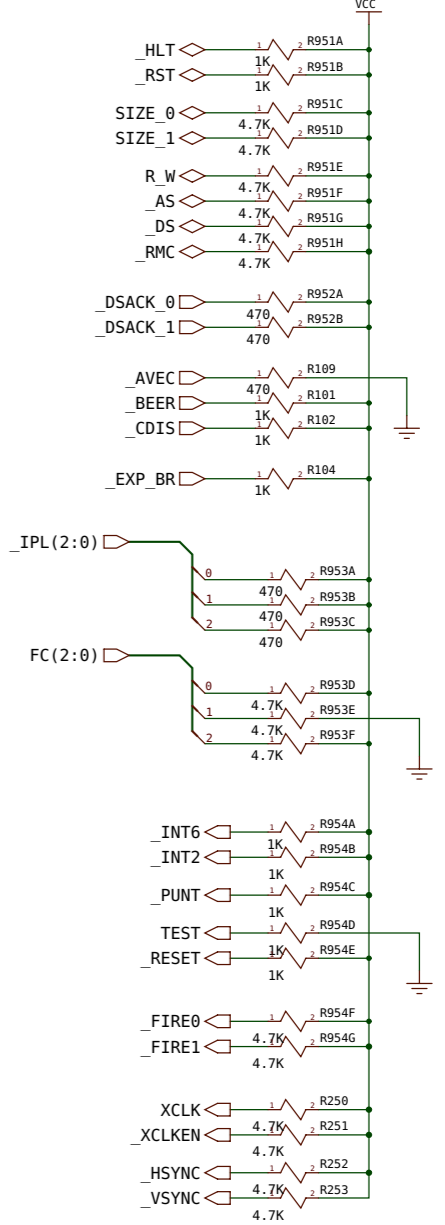


WARNING:
Pin numbers are backwards

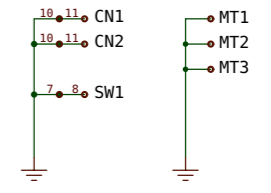


TEST ACCESS

TERMINATION



HOLES &c.



CD/GS PLAYER PCB

USER INTERFACE AND RELATED DEAD ENDS

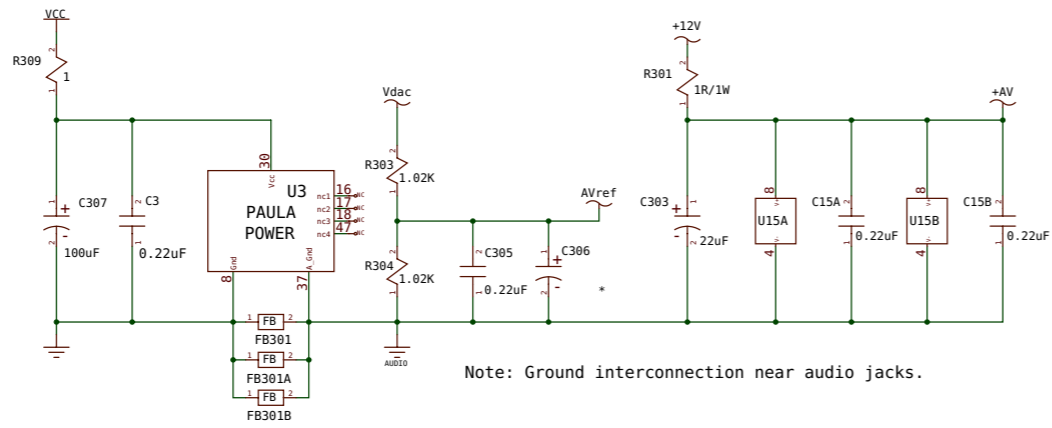
© 1992 Commodore Business Machines
Information contained herein is the unpublished, confidential and trade secret property of Commodore Business Machines, Inc. Any use, reproduction or disclosure of this information without the prior written permission of Commodore is strictly prohibited.

C.A.D. Generated
No manual changes may be made to this document

DESIGN BY: G. Robbins	DATE: 08/02/92	<p>Commodore Schematic CD/GS Rev 3 Unit - "Spellbound"</p>
DESIGN: GRS	08/02/92	
USDB GR	C/A100	
NEXT ASSY	365101	
SCALE		SHEET 9 OF 10

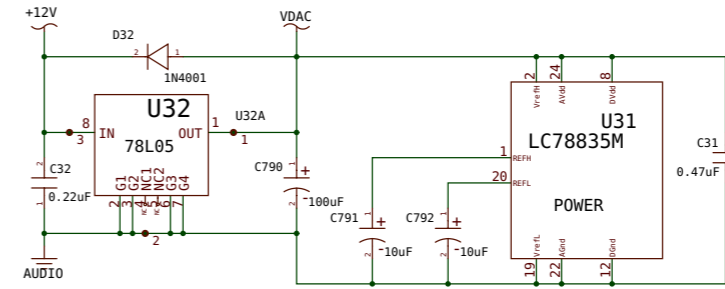
PATH: r:\rj\c300\spellbound_rev3_sheet9

PAULA/AUDIO DECOUPLING

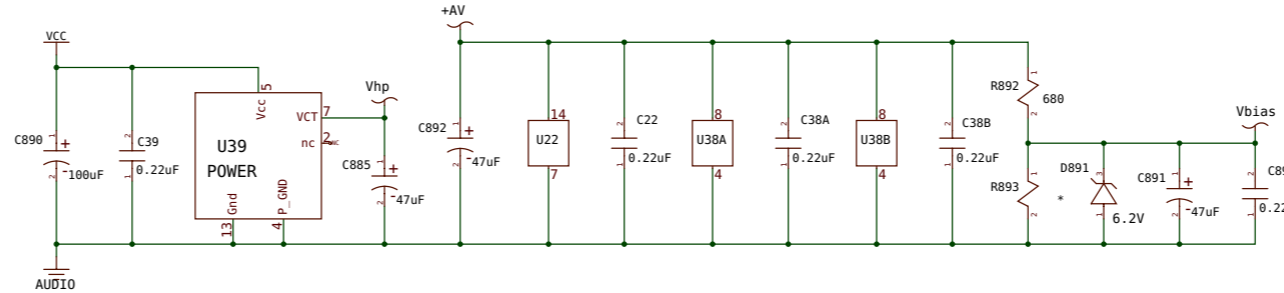


Note: Ground interconnection near audio jacks.

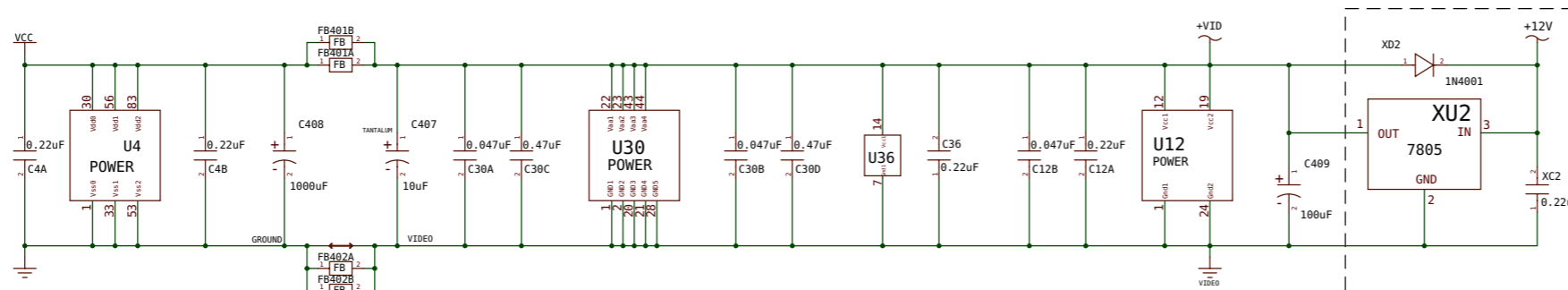
CD/AUDIO DAC DECOUPLING



HEADPHONE/AUDIO DECOUPLING

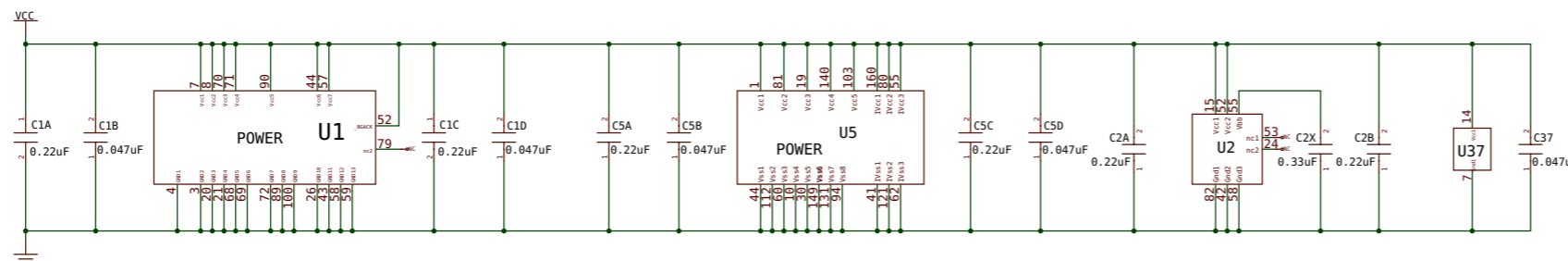


VIDEO DECOUPLING

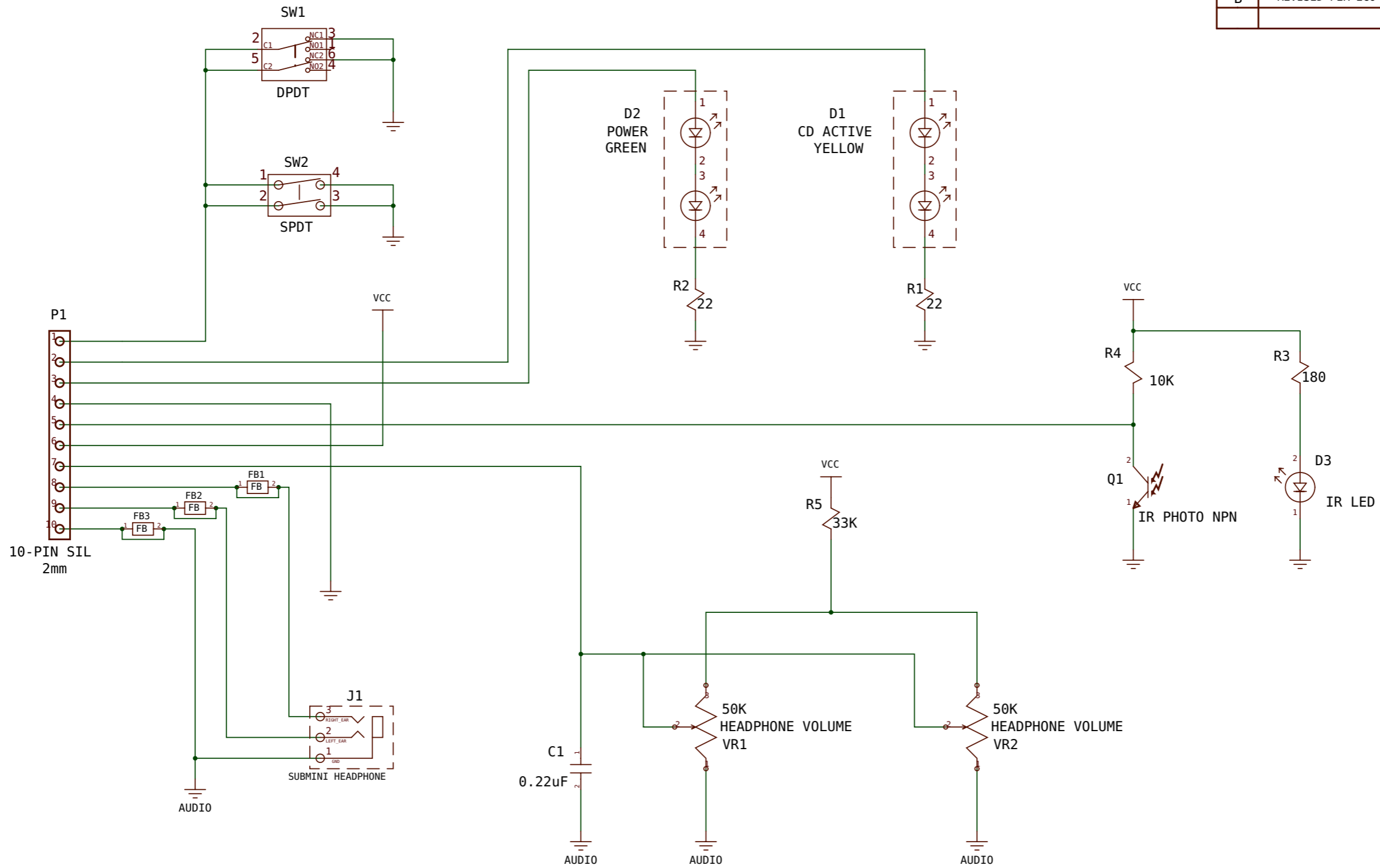


Note: FB401/402 are Video Ground fiddles

PROCESSOR/AKIKO/ALICE DECOUPLING

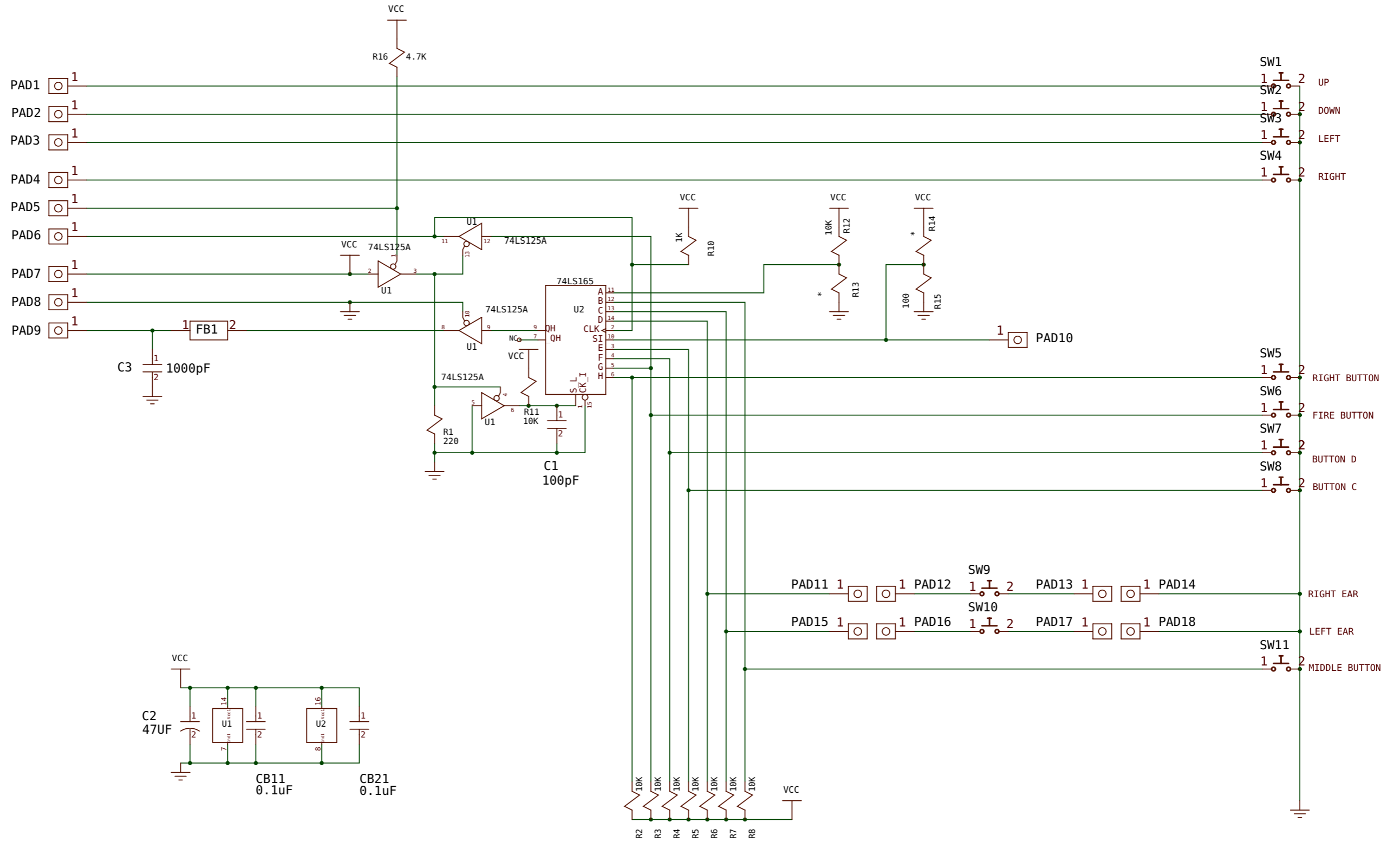


REVISIONS				
REV	DESCRIPTION	DATE	APRVL	MANAGER
1	ADVANCE ENGINEERING RELEASE	2/3/93	GRR	
2	REVISED PER ECO 930087	3/10/93	BB	
A	PILOT PRODUCTION RELEASE	4/15/93	GRR	
B	REVISED PER ECO			



THIS SPACE FOR WHITE-OUT ONLY

© 1993 Commodore Business Machines Information contained herein is the unpublished, confidential and trade secret property of Commodore Business Machines, Inc. Any use, reproduction or disclosure of this information without the prior written permission of Commodore is strictly prohibited.		DESIGN BY: B. Fenimore DATE: 5/13/93 DRAW: BAF LAST: BAF 5/13/93 CHRD: APPR: USED ON: CDGS NEXT ASSY: 356168	Commodore SCHEMATIC DISPLAY PCB CD GAME SYSTEM SIZE: B 365229 SCALE: SHEET 1 OF 1 REV: 1
C.A.D. Generated No manual changes may be made to this document		PATH: /user/fenimore/CDG/led Assy.rev1 sheet1	



Rev. 1.43 (27.09.2015)

PLUG AND PLAY BABY

© 1993 Commodore Business Machines Information contained herein is the unpublished, confidential and trade secret property of Commodore Business Machines, Inc. Any use, reproduction or disclosure of this information without the prior written permission of Commodore is strictly prohibited.		Commodore Schematic A100 Game Controller Unit - "Spellbound"	
DESIGN BY: D. Fabrizio	DATE: 12/18/92	SCALE:	SHEET 1 OF 1
DRAWN: BAF	09/22/93	SIZE: B	REV: 3
LAST: BAF	09/22/93	USED ON: C/A100 NEXT ASSY:	
C.A.D. Generated No manual changes may be made to this document			



PATH: /project/a380/game cont. rev3 sheet1